

ATF 70G-4 | MAIN BOOM 170.9ft

75 TON CAPACITY

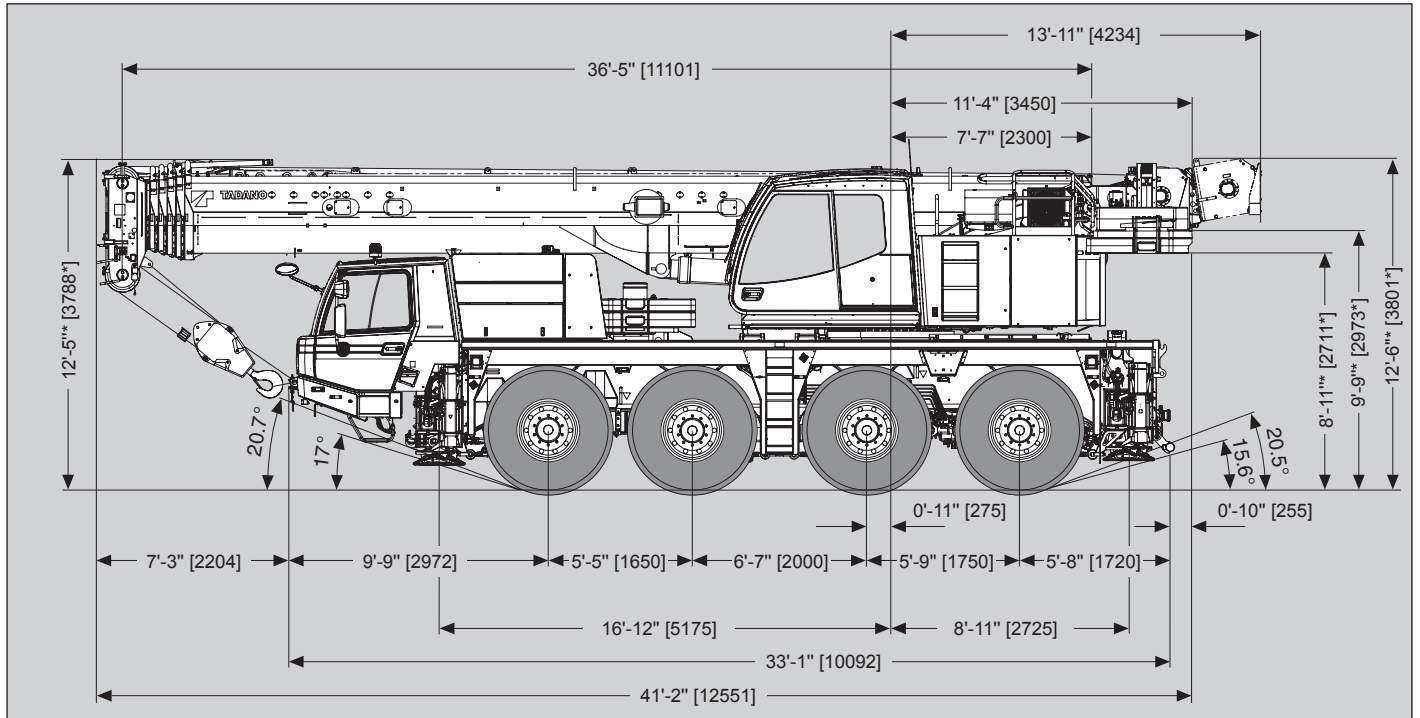
ALL TERRAIN CRANE



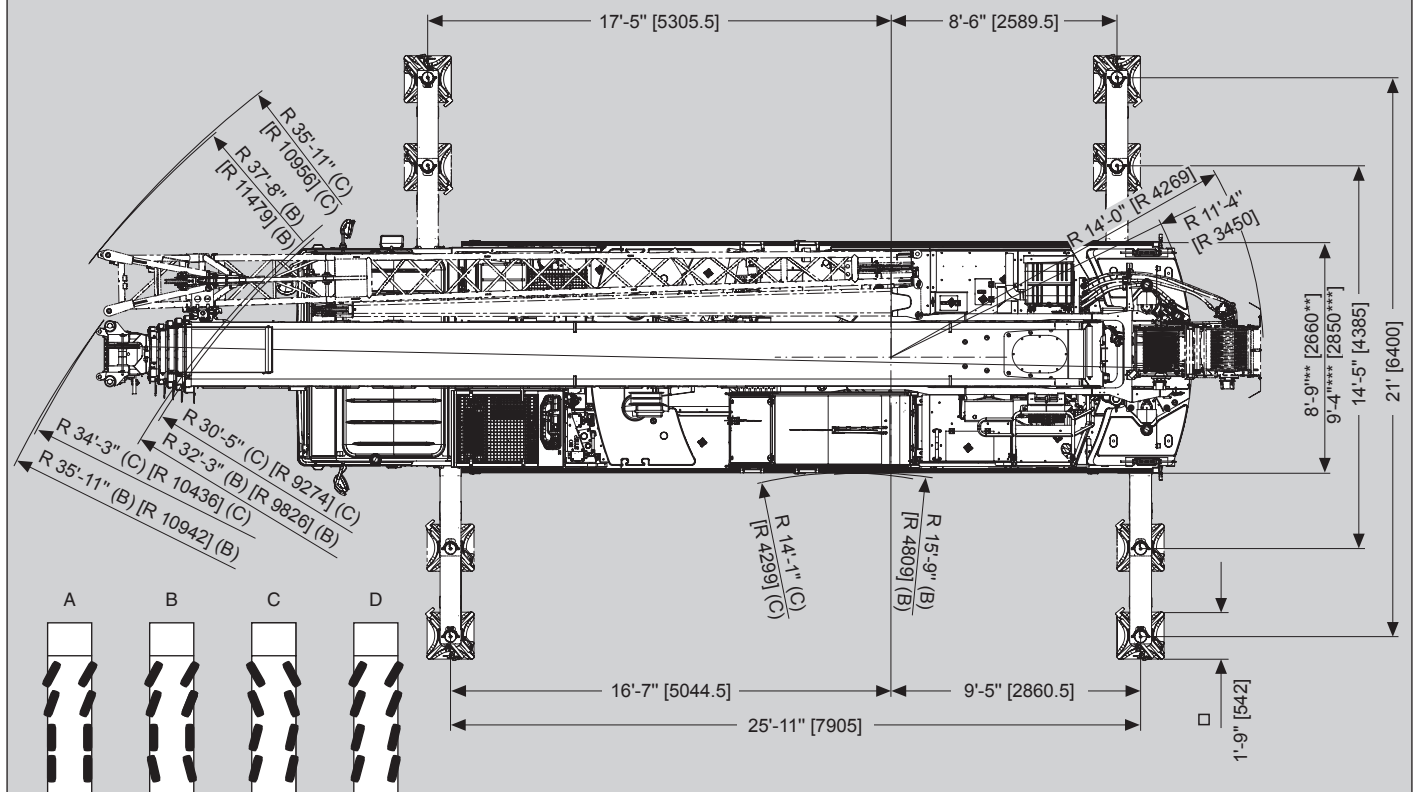
Dimensions (ft, mm) / Dimensiones (ft, mm)

445/95 R 25
(16.00 R 25)

SAE



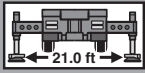
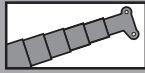
* ± 0'-4" [100]



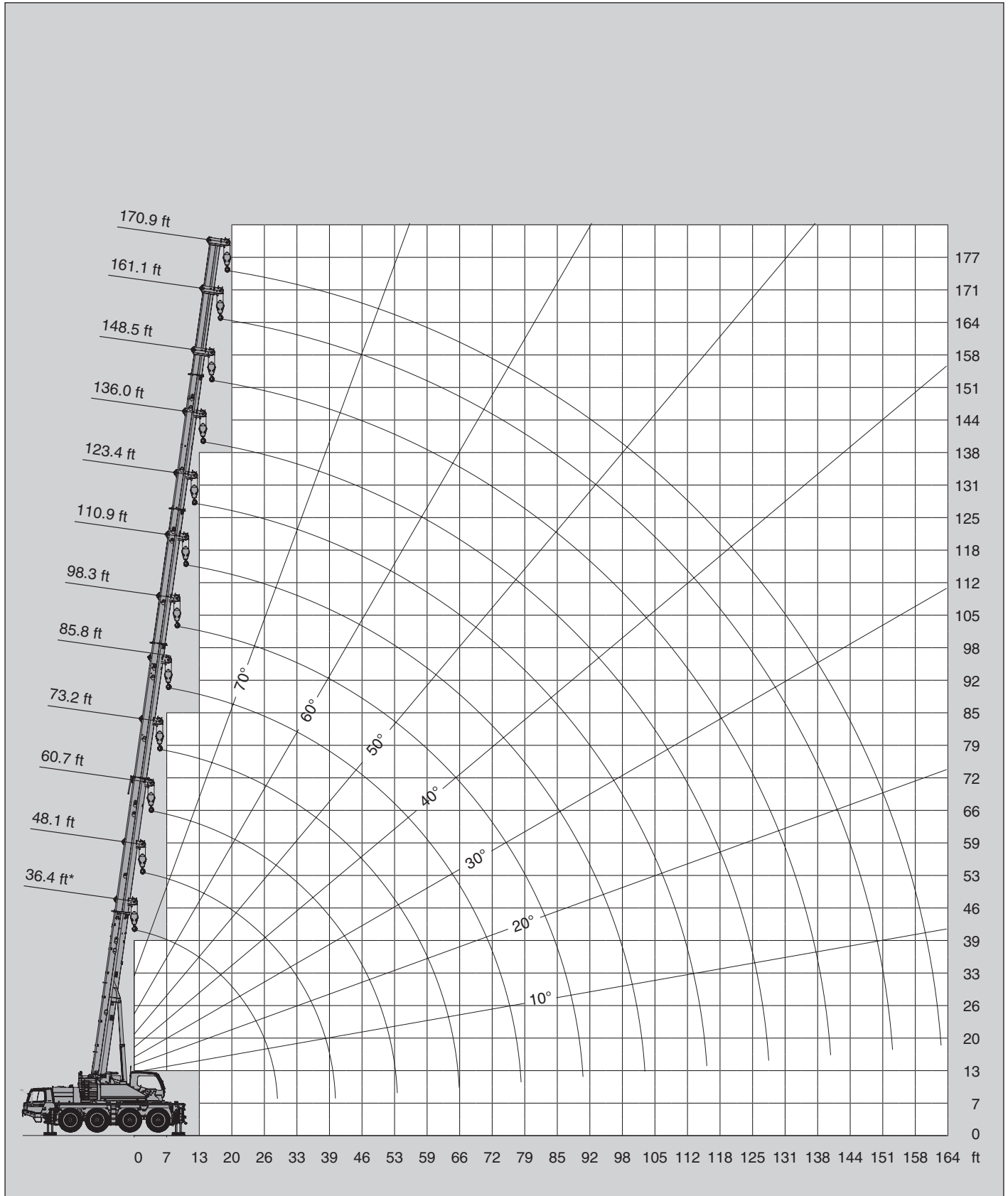
v > 15.5 mph < 15.5 mph
(25 km/h) (25 km/h)

** 445/95 R 25 (16.00 R 25)
*** 525/80 R 25 (20.50 R 25)

Lifting heights / Alturas de elevación


36,376 lbs

lbs x 1,000

SAE



Lifting capacities / Capacidades de elevación





36,376 lbs

lbs x 1,000 SAE

 ft	36.4 ft*	36.4 ft	48.1 ft	60.7 ft	73.2 ft	85.8 ft	98.3 ft	110.9 ft	123.4 ft	136.0 ft	148.5 ft	161.1 ft	170.9 ft
8	154.3	127.2											
10	130.7	115.7	111.1	108.0									
12	119.9	106.3	101.9	98.8	88.0								
13	110.7	97.9	93.9	91.0	88.0	67.9							
15	97.4	90.6	87.3	84.4	82.5	63.3	52.7						
16	87.1	82.5	82.0	78.7	76.9	59.3	52.7	38.8					
20	71.2	69.0	69.4	68.8	68.1	57.8	50.3	41.0	31.3				
23	60.0	59.1	59.3	58.6	59.3	57.3	45.9	41.0	31.3	23.4			
26	51.6	50.9	51.4	50.7	51.4	51.8	45.0	38.8	31.3	23.4	18.3		
30			45.4	44.1	44.8	45.2	41.9	36.2	31.3	23.4	18.3	15.0	
33			40.1	38.8	40.6	39.9	39.2	33.3	29.3	23.4	18.3	15.0	12.8
39			31.7	32.6	32.4	32.4	32.6	28.4	25.8	23.4	18.3	15.0	12.8
46				25.1	25.8	26.0	25.4	24.5	22.9	20.9	18.3	15.0	12.8
53				19.8	21.2	20.9	20.1	19.6	20.1	18.7	17.4	15.0	12.8
59					17.4	17.0	16.8	17.2	16.3	16.3	15.7	14.6	12.8
66					14.1	14.1	15.0	14.3	13.7	13.4	13.9	13.2	12.6
72						13.0	12.6	11.9	12.3	12.1	11.5	11.7	11.7
79						8.4	10.8	10.8	10.6	10.4	10.4	9.7	9.9
85							9.3	9.7	9.0	8.8	8.8	8.2	8.4
92								8.4	8.4	7.9	7.5	7.1	7.1
98								7.3	7.3	6.8	6.4	6.0	6.0
105									6.2	6.0	5.5	4.9	5.1
112									5.5	5.1	4.9	4.2	4.2
118										4.4	4.0	3.5	3.5
125										3.7	3.3	2.9	2.9
131											2.9	2.2	2.2
138											2.4	1.8	1.8
144												1.3	1.3

* Over rear / * Sobre la parte trasera

Lifting heights / Alturas de elevación

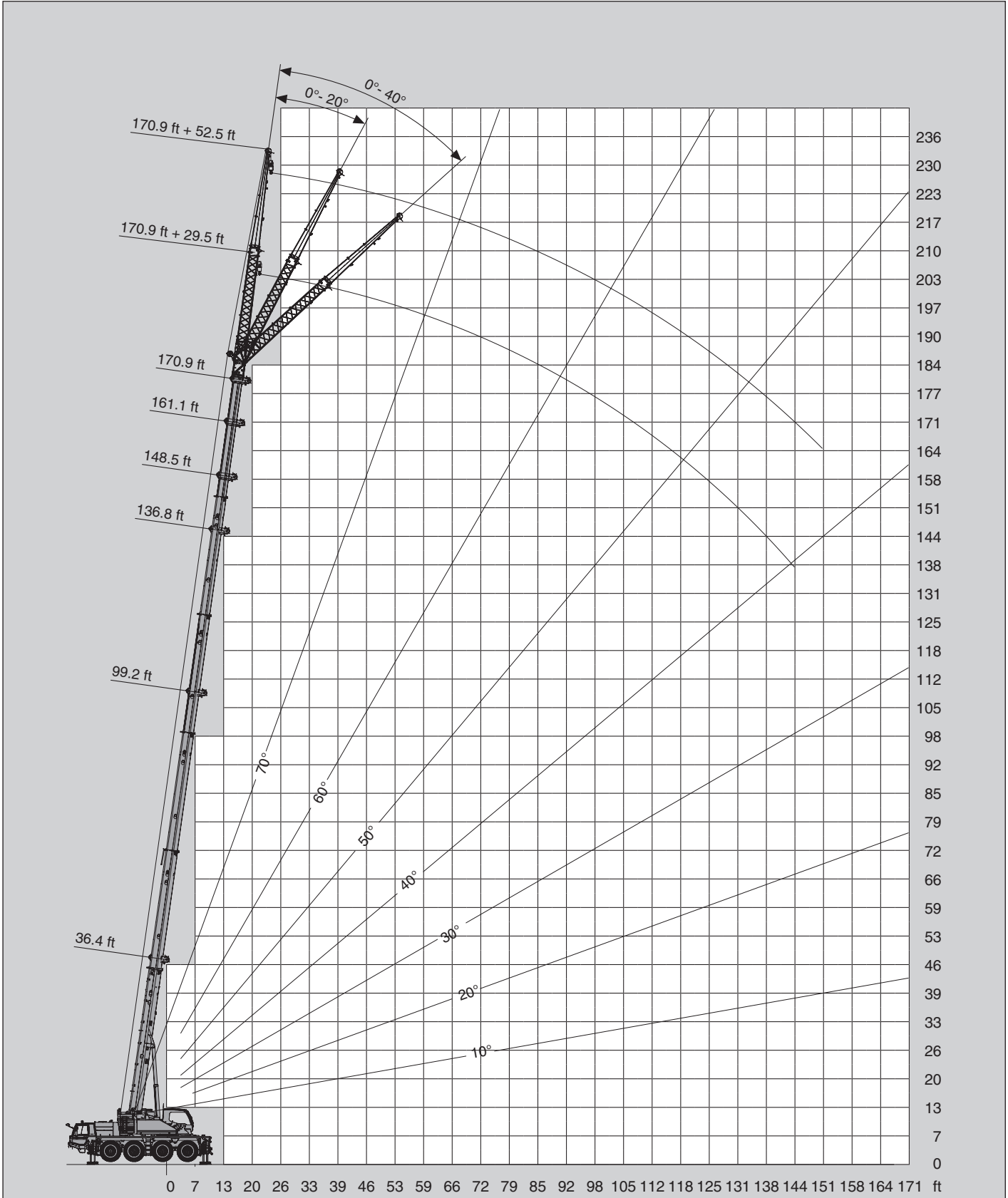






36,376 lbs

lbs x 1,000 SAE



Lifting capacities / Capacidades de elevación

					36,376 lbs	lbs x 1,000	SAE
--	--	--	--	--	-------------------	-------------	------------

	36.4 ft + 29.5 ft			99.2 ft + 29.5 ft			136.8 ft + 29.5 ft			148.5 ft + 29.5 ft			161.1 ft + 29.5 ft			170.9 ft + 29.5 ft		
	0°	20°	40°	0°	20°	40°	0°	20°	40°	0°	20°	40°	0°	20°	40°	0°	20°	40°
8	23.1																	
10	23.1																	
12	23.1																	
13	23.1	23.1																
15	23.1	23.1		22.7														
16	23.1	23.1		22.7														
20	23.1	23.1		22.7														
23	23.1	22.7	19.0	22.7														
26	23.1	21.4	18.1	22.7	19.4		12.6			9.3								
30	23.1	20.3	17.2	22.7	19.4		12.6			9.3			7.7					
33	23.1	19.2	16.5	22.7	19.4		12.6			9.3			7.7				5.3	
39	20.5	17.4	15.7	22.3	19.4	17.2	12.6	12.6		9.3	9.3		7.7	7.7			5.3	
46	18.3	16.1	14.8	19.8	19.0	16.5	12.6	11.7	11.0	9.3	9.3	8.4	7.7	7.7			5.3	5.3
53	16.5	15.0		17.9	17.2	16.1	11.7	10.8	10.1	9.3	8.8	7.7	7.7	7.5	6.8	5.3	5.3	5.3
59				15.7	15.7	15.4	10.8	9.9	9.5	9.3	8.2	7.5	7.7	7.1	6.4	5.3	5.3	5.3
66				12.8	13.7	14.1	9.9	9.3	8.8	8.8	7.7	7.1	7.5	6.6	6.2	5.3	5.3	5.3
72				10.4	11.2	11.9	9.3	8.6	8.4	8.4	7.3	6.8	7.1	6.2	5.7	5.3	5.3	5.3
79				8.6	9.3	9.7	8.4	8.2	7.7	7.7	7.1	6.4	6.6	6.0	5.5	5.3	5.3	5.3
85				7.1	7.7	8.2	7.3	7.7	7.3	7.3	6.6	6.2	6.2	5.5	5.3	5.3	5.3	5.1
92				5.7	6.4	6.6	6.0	6.6	7.1	6.4	6.4	6.0	6.0	5.3	5.1	5.3	5.1	4.9
98				4.9	5.1	5.3	4.9	5.5	5.7	5.3	6.0	5.7	5.5	5.1	4.9	5.3	4.9	4.6
105				3.7	4.2		4.0	4.4	4.9	4.4	4.9	5.3	4.9	4.9	4.6	4.6	4.6	4.4
112				3.1	3.3		3.1	3.5	3.7	3.5	4.0	4.4	4.0	4.4	4.4	4.0	4.4	4.2
118				2.4			2.4	2.9	3.1	2.9	3.3	3.5	3.3	3.5	4.0	3.1	3.5	4.0
125							1.8	2.2	2.2	2.2	2.6	2.9	2.6	2.9	3.1	2.4	2.9	3.1
131								1.5	1.5	1.8	2.0	2.2	2.0	2.4	2.4	2.0	2.2	2.4
138											1.5	1.5		1.8	2.0		1.8	2.0
144														1.3				

	36.4 ft + 52.5 ft			99.2 ft + 52.5 ft			136.8 ft + 52.5 ft			148.5 ft + 52.5 ft			161.1 ft + 52.5 ft			170.9 ft + 52.5 ft		
	0°	20°	40°	0°	20°	40°	0°	20°	40°	0°	20°	40°	0°	20°	40°	0°	20°	40°
8	17.4																	
10	17.4																	
12	17.4																	
13	17.4																	
15	17.4																	
16	17.4																	
20	17.4			11.5														
23	16.3			11.5														
26	15.4	12.3		11.5														
30	14.3	11.7		11.5			7.1			6.2								
33	13.4	11.0		11.5			7.1			6.2			5.3					
39	12.1	10.1	8.8	11.5	10.6		7.1			6.2			5.3				3.7	
46	10.8	9.3	8.4	11.5	9.9		7.1			6.2			5.3				3.7	
53	9.9	8.6	7.7	11.5	9.5	8.2	7.1	7.1		6.2	6.2		5.3				3.7	
59	9.0	7.9	7.5	11.5	9.0	7.7	7.1	7.1		6.2	6.2		5.3	5.3			3.7	3.7
66	8.4	7.5	7.1	10.8	8.6	7.5	7.1	7.1	7.1	6.2	6.0	5.1	5.3	5.1			3.7	3.7
72	7.7	7.3	7.1	10.1	8.2	7.3	7.1	7.1	7.1	6.2	5.5	4.9	5.3	4.9	4.2		3.7	3.7
79	7.3	7.1		9.5	7.9	7.1	7.1	7.1	6.6	6.2	5.3	4.6	5.3	4.6	4.0		3.7	3.7
85				7.9	7.7	6.8	7.1	6.6	6.2	6.0	5.1	4.4	5.1	4.2	4.0		3.7	3.7
92				6.6	7.3	6.6	6.6	6.2	6.0	5.5	4.9	4.2	4.6	4.0	3.7		3.7	3.5
98				5.5	6.6	6.6	5.5	5.7	5.5	5.3	4.6	4.2	4.4	4.0	3.5		3.7	3.3
105				4.6	5.5	6.2	4.6	5.5	5.3	4.9	4.4	4.0	4.2	3.7	3.3		3.7	3.3
112				3.7	4.6	5.1	3.7	4.6	5.1	4.0	4.2	3.7	4.0	3.5	3.3		3.7	3.1
118				3.1	3.7	4.2	3.1	3.7	4.4	3.3	4.0	3.7	3.5	3.3	3.1		3.3	2.9
125				2.4	3.1	3.3	2.4	3.1	3.5	2.6	3.3	3.5	2.9	3.3	3.1		2.6	2.9
131				2.0	2.4		1.8	2.4	2.9	2.0	2.6	3.1	2.2	2.9	2.9		2.2	2.6
138				1.5	1.8		1.3	1.8	2.2	1.5	2.2	2.4	1.8	2.4	2.6		1.5	2.6
144									1.5			2.0		1.8	2.2		1.8	2.2
151														1.5				1.5