

# **ATF 130G-5**

**160 TON CAPACITY**

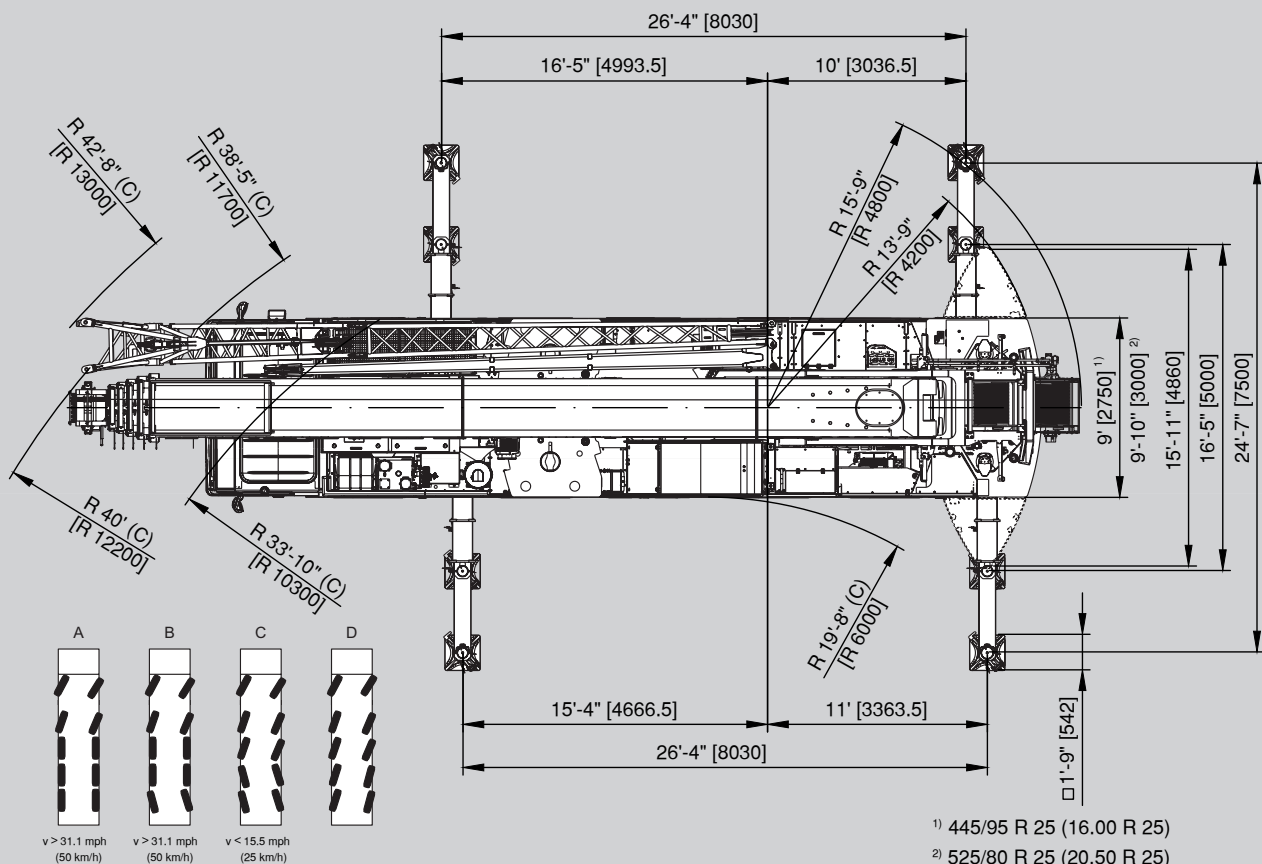
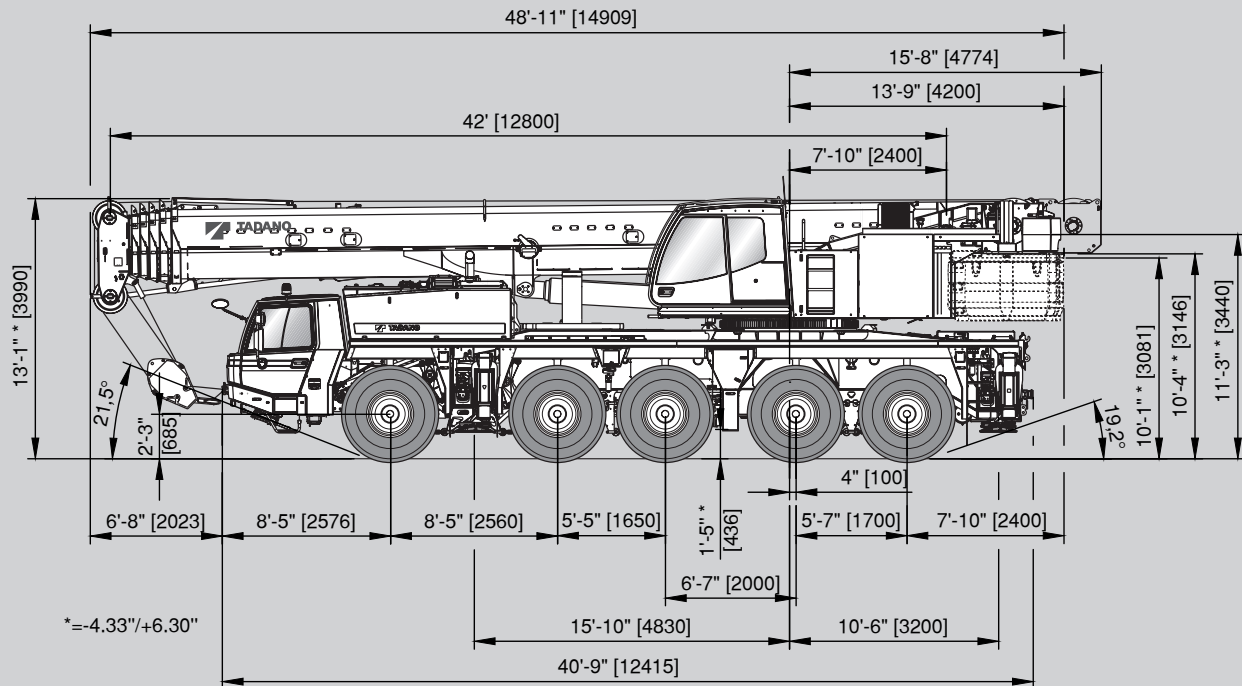
# **ALL TERRAIN CRANE**



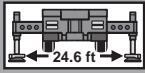
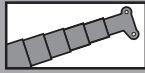
Dimensions (ft, mm) / Dimensiones (ft, mm)

 445/95 R 25 (16.00 R 25)	 525/80 R 25 (20.50 R 25)
---------------------------------------------------------------------------------------------------------------	---------------------------------------------------------------------------------------------------------------

SAE



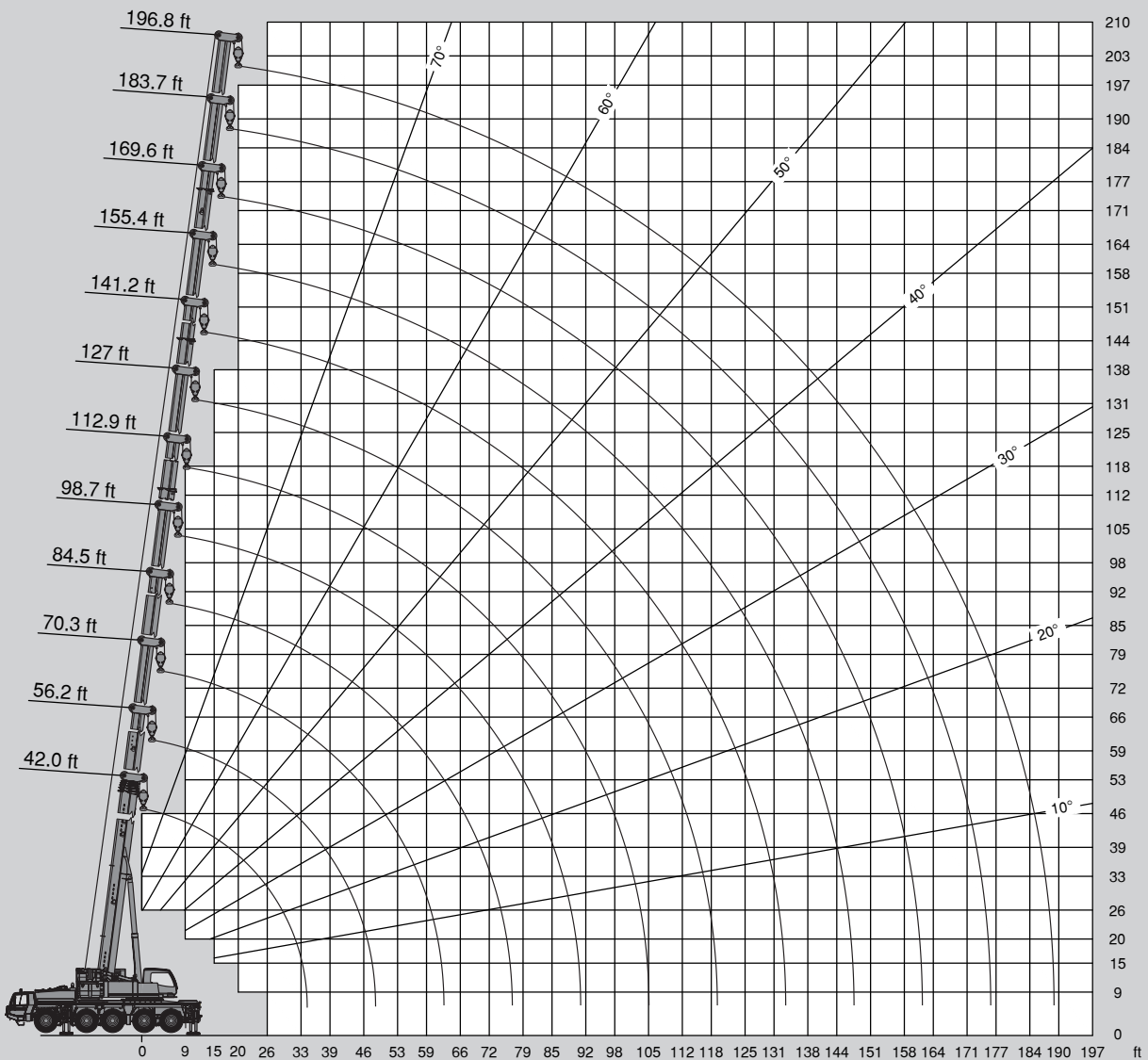
## Lifting heights / Alturas de elevación

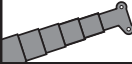
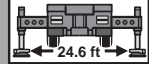



93,255 lbs

lbs x 1,000


SAE



93,255 lbs

lbs x 1,000 SAE

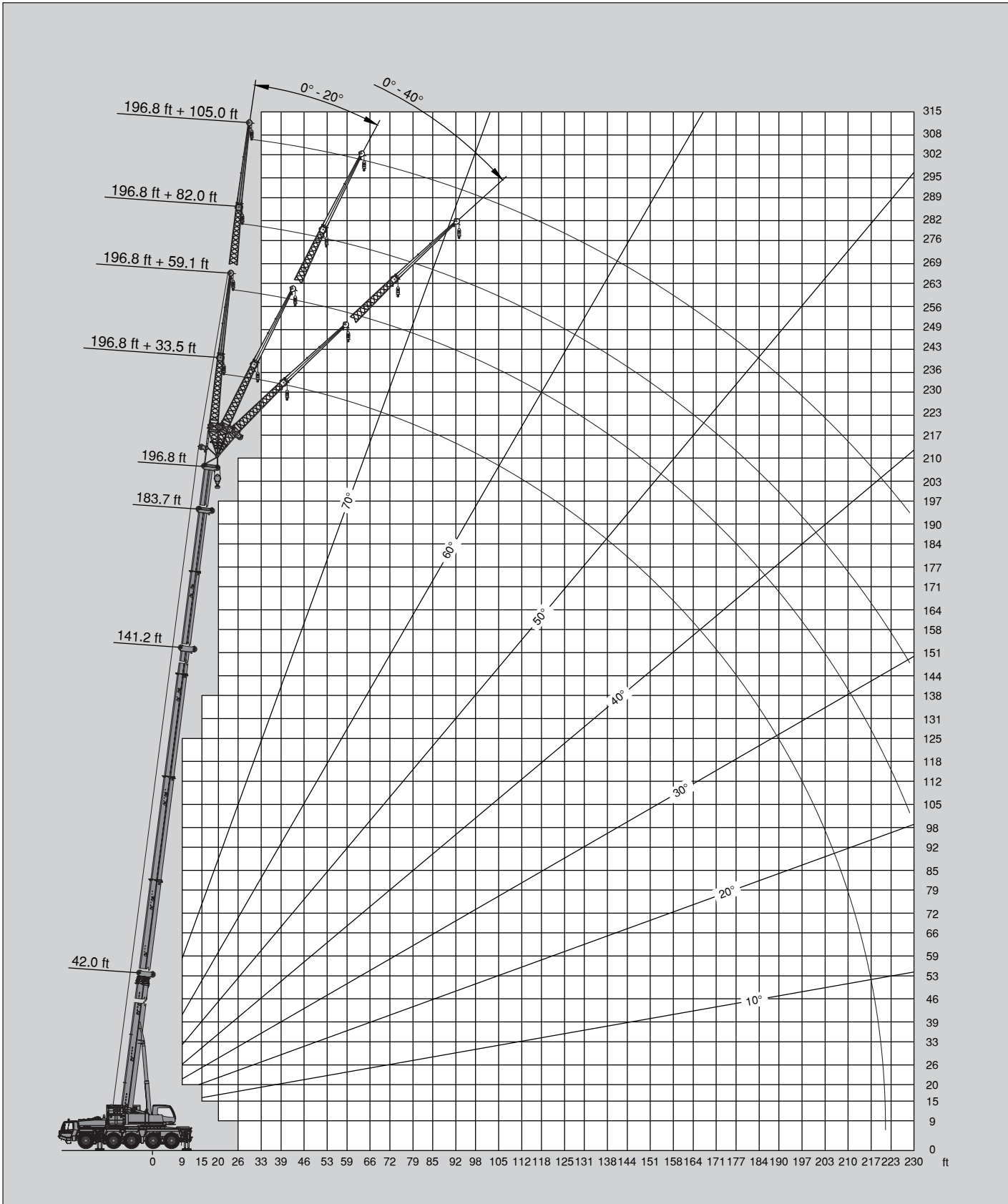
 ft	42.0 ft*	42.0 ft	56.2 ft	70.3 ft	84.5 ft	98.7 ft	112.9 ft	127.0 ft	141.2 ft	155.4 ft	169.6 ft	183.7 ft	196.8 ft
8	320.0**												
9	286.6**												
10	245.2**	230.8**	198.4	198.4									
12	219.8	211.0	198.4	198.4	154.3								
13	201.5	194.2	194.0	193.1	154.3								
15	183.6	179.7	179.5	178.6	154.3	119.7							
16	167.1	167.1	166.9	166.0	154.3	113.1	97.0						
20	146.2	145.9	145.7	144.6	145.5	110.2	93.3	72.3					
23	129.6	128.1	128.5	126.8	128.1	108.7	84.7	72.3	59.7				
26	116.2	112.9	113.8	113.3	112.7	101.4	83.8	72.3	59.7	47.2			
30	105.2	100.1	101.0	101.0	99.9	95.0	78.9	66.8	59.7	47.2	36.6		
33	92.8	89.5	90.4	90.4	89.3	89.5	74.3	61.9	58.4	47.2	36.6	29.1	
36			81.6	81.6	80.5	82.0	70.1	57.8	54.5	47.2	36.6	29.1	23.4
39			74.1	74.1	73.9	74.5	66.4	54.0	50.9	47.0	36.6	29.1	23.4
46			62.2	61.9	63.3	62.4	60.0	47.6	45.0	42.3	36.6	29.1	23.4
53				50.5	51.8	50.9	52.7	42.5	40.1	38.4	34.8	29.1	23.4
59				43.7	43.4	45.4	44.1	38.4	36.8	34.6	32.0	28.2	23.4
66					38.4	38.8	37.5	34.8	33.5	31.1	29.8	26.5	23.1
72					35.3	34.4	33.1	31.1	30.6	28.0	26.9	24.7	21.4
79						30.6	29.3	28.4	28.0	25.4	24.3	22.9	19.8
85						27.3	26.0	26.2	25.4	23.1	22.0	21.6	18.1
92							23.4	24.0	22.9	21.2	20.3	19.8	16.5
98								22.3	21.6	20.5	19.2	18.5	15.2
105									19.4	18.5	17.4	16.8	13.9
112									17.6	16.8	16.3	15.9	12.8
118										15.7	15.0	14.6	11.9
125										14.6	13.7	13.4	11.0
131										13.7	12.6	12.6	10.1
138											11.5	11.7	9.5
144											10.4	10.8	8.8
151												9.9	8.4
158												9.0	7.7
164													7.1
171													6.4
177													5.7
184													5.3

\* Over rear / \* Sobre la parte trasera

\*\* With additional lifting equipment / \*\* Con equipo adicional


## Lifting heights / Alturas de elevación

					<b>93,255 lbs</b>	lbs x 1,000	<b>SAE</b>
--	--	--	--	--	-------------------	-------------	------------



## Lifting capacities / Capacidades de elevación

		 HYDRO	 24.6 ft	 360°	<b>93,255 lbs</b>	lbs x 1,000	<b>SAE</b>
-----------------------------------------------------------------------------------	-----------------------------------------------------------------------------------	--------------------------------------------------------------------------------------------	----------------------------------------------------------------------------------------------	-------------------------------------------------------------------------------------------	-------------------	-------------	------------

 ft	196.8 ft + 33.5 ft			196.8 ft + 59.1 ft		
	0°	20°	40°	0°	20°	40°
39	12.6					
46	12.6			7.9		
53	12.6	12.6		7.9		
59	12.6	12.3		7.9		
66	12.6	11.9	11.0	7.9		
72	12.6	11.2	10.6	7.9	7.3	
79	11.9	10.8	10.1	7.9	7.1	
85	11.5	10.4	9.9	7.9	6.8	5.7
92	11.0	9.9	9.5	7.9	6.6	5.5
98	10.4	9.7	9.3	7.9	6.4	5.3
105	9.9	9.3	8.8	7.9	6.2	5.3
112	9.7	9.0	8.6	7.5	6.0	5.1
118	9.3	8.8	8.4	7.3	6.0	5.1
125	8.8	8.4	8.2	7.1	5.7	4.9
131	8.6	8.2	7.9	6.8	5.7	4.9
144	7.9	7.5	7.3	6.4	5.3	4.6
158	6.8	6.6	6.6	5.7	5.1	4.6
171	5.5	6.0	6.0	5.1	4.9	4.6
184	4.2	4.9		4.6	4.4	4.4
197	3.1	3.5		3.7	4.0	4.0
210	2.2	2.4		2.6	3.3	
223					2.2	
236						