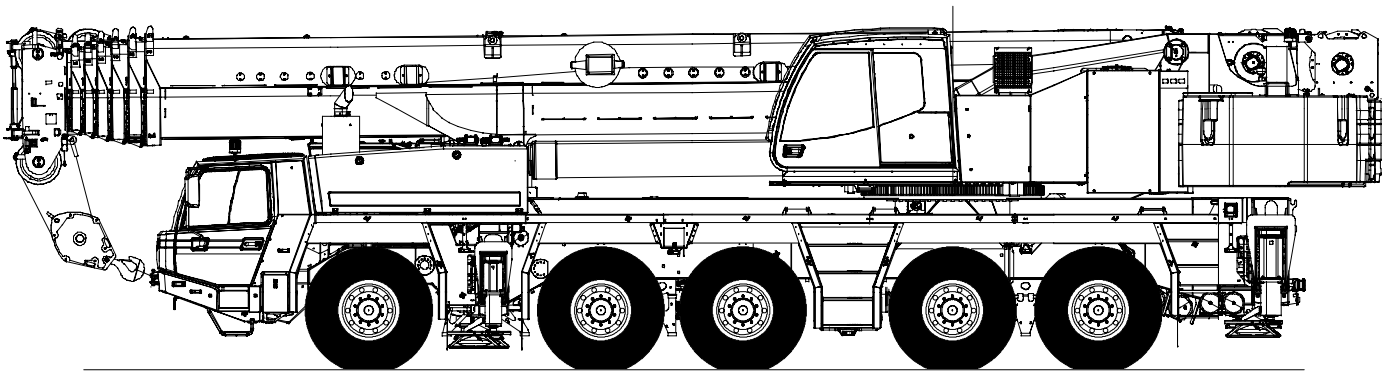


Technical Data

Specifications & Capacities

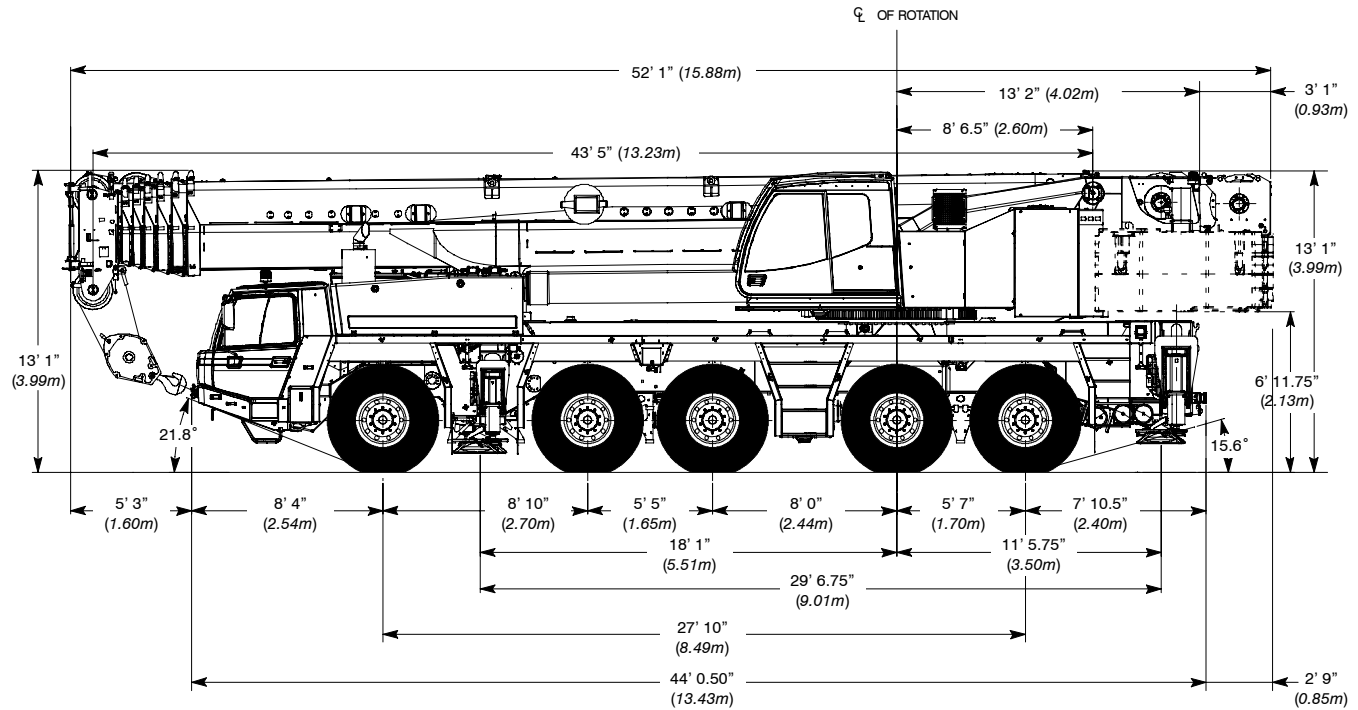
ATC 3250

Telescopic Boom All Terrain Crane
250 ton (220.0 metric ton)



CAUTION: This material is supplied for reference use only. Operator must refer to in-cab Crane Rating Manual and Operator's Manual to determine allowable crane lifting capacities and assembly and operating procedures.

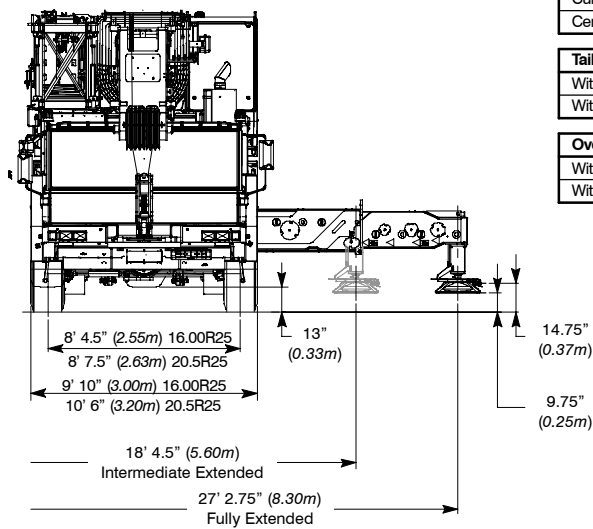
General Dimensions



Turning Radius	20.5R25		16.00R25	
	English	Metric	English	Metric
Wall to wall over carrier	36' 0"	11.0m	35' 9"	10.9m
Wall to wall over boom	38' 4"	11.7m	38' 1"	11.6m
Wall to wall over boom attachment	40' 7"	12.4m	40' 4"	12.3m
Curb to curb	32' 2"	9.80m	31' 11"	9.72m
Centerline of tire	31' 5"	9.6m	31' 2"	9.5m

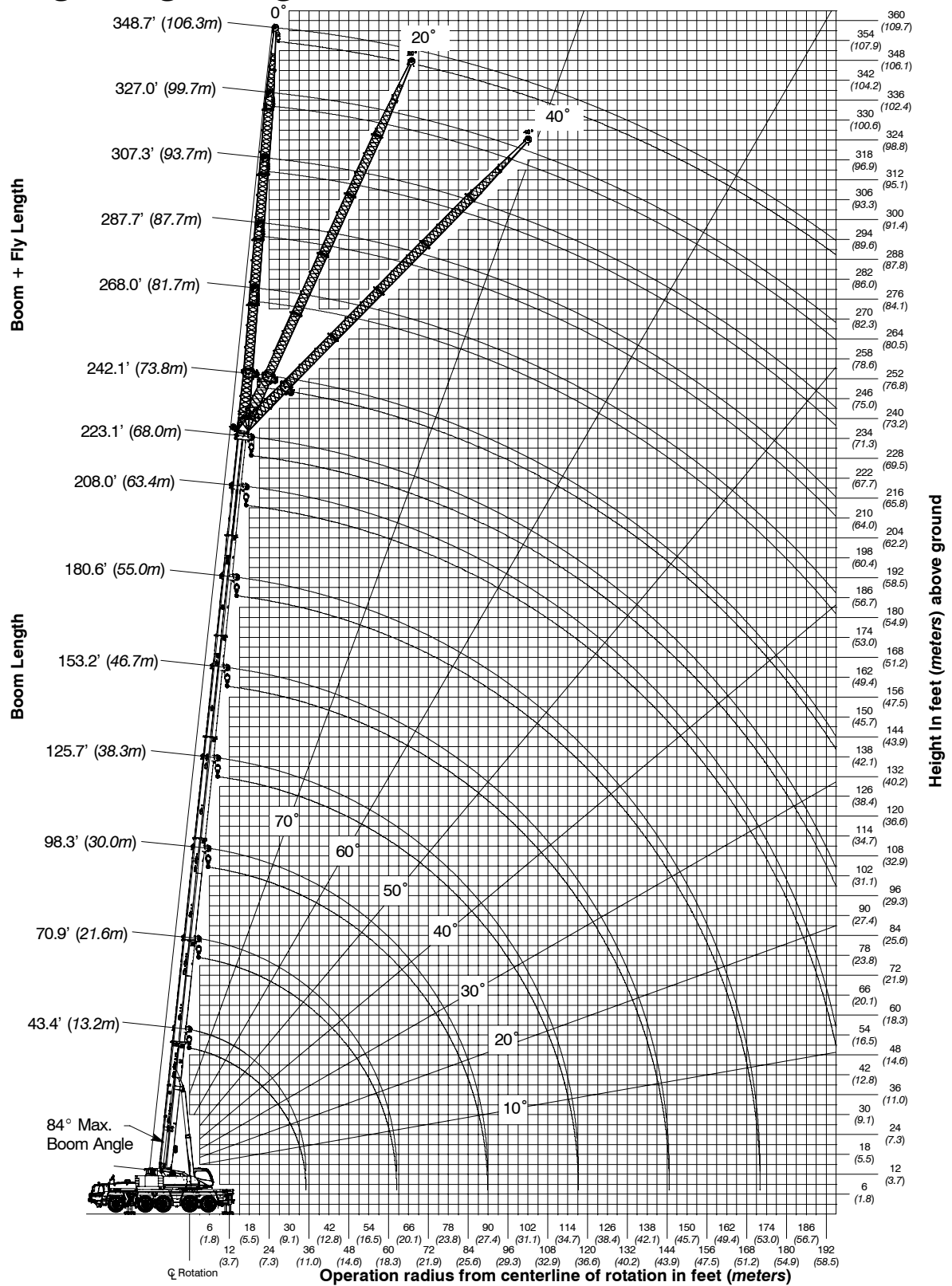
Tail Swing	English	Metric
With auxiliary winch	16' 8"	5.1m
Without auxiliary winch	14' 5"	4.4m

Overall Width	English	Metric
With 51,808–103,616 lb (23 500–37 000kg) counterweight	15' 1"	4.6m
With 156,527 lb (71 000kg) counterweight	18' 5"	5.6m



Not To Scale

Working Range Diagram



Main Boom Lift Capacity Charts

156,527 lb Counterweight – Fully Extended Outriggers – 360° Rotation
 (All Capacities Are Listed In Thousand Pounds)

Radius (ft)	Boom Length (ft)															Radius (ft)	
	43.3 (1)	43.3	57.1	70.9	84.6	98.4	111.9	125.7	139.4	153.2	167.0	180.4	194.2	208.0	223.1		
8	500.0*																8
9	442.1*																9
10	394.6*	385.6*	308.6*	308.6*	251.3*												10
12	367.1*	346.1*	308.6*	308.6*	247.5*	199.5											12
14	341.5*	317.1*	305.7*	304.5*	233.3	199.5											14
16	306.9*	286.0*	284.9*	283.5*	227.1	193.7	154.3										16
18	274.1*	260.7*	260.1*	258.5*	227.1	184.1	154.3	120.2									18
20	244.6*	237.4	237.4	235.2	225.4	174.4	153.5	120.2	95.9								20
25	194.9	194.3	193.4	191.5	193.0	170.9	139.1	120.2	95.9	76.1							25
30	159.5	159.5	158.6	156.6	157.9	159.7	127.9	113.7	95.0	76.1	62.8	50.7					30
35			133.2	131.4	132.6	134.2	126.0	103.1	88.3	75.5	62.8	50.7	41.4				35
40			114.1	112.4	113.5	115.0	117.2	93.8	82.5	71.3	62.1	50.7	41.4	33.1	27.6		40
45			99.5	97.7	98.8	100.4	102.2	89.1	79.1	67.0	59.6	50.3	41.4	33.1	27.6		45
50				86.1	87.1	88.6	90.4	84.5	74.1	64.1	56.5	48.9	41.4	33.1	27.6		50
55				76.5	77.3	78.8	80.6	79.5	68.8	61.1	53.4	46.9	41.0	33.1	27.6		55
60				68.1	69.5	71.1	72.3	73.9	63.8	57.6	50.4	44.6	40.0	33.1	27.6		60
65					65.3	67.1	67.5	67.0	59.6	54.4	47.7	42.4	38.1	33.1	27.6		65
70					58.9	60.4	64.1	62.5	55.8	51.7	45.3	40.2	36.4	32.8	27.6		70
75						56.2	59.6	57.8	52.4	48.9	43.1	38.2	34.8	31.9	27.6		75
80						53.5	54.4	52.8	49.3	46.1	40.9	36.4	33.2	30.6	27.4		80
85						50.7	49.7	48.1	46.3	43.8	38.9	34.7	31.8	29.4	26.9		85
90							45.6	44.1	42.4	41.4	37.2	33.2	30.5	28.2	25.6		90
95							42.1	40.4	38.9	38.5	35.1	31.8	29.1	27.0	24.3		95
100							38.9	37.2	35.7	35.3	32.9	30.4	27.8	25.9	23.0		100
110								32.0	33.0	29.9	29.2	27.9	25.7	24.1	20.8		110
120									29.1	25.5	25.9	25.0	23.7	22.2	18.9		120
130										23.5	23.4	22.2	21.1	20.7	17.2		130
140										20.3	21.2	19.2	18.9	18.4	15.7		140
150											18.7	17.1	16.7	16.7	14.2		150
160												15.8	15.3	15.3	13.1		160
170												14.4	14.0	13.8	12.0		170
180													12.9	12.1	10.9		180
190														10.4	9.5		190
200															8.6		200
210																7.7	210

* Special Conditions Or Wire Rope Required
 (1) Over Rear Only With Swing Lock Engaged

This information is not for crane operation. Operator must refer to the in-cab information for crane operation. Rated lifting capacities shown on fully extended outriggers do not exceed 85% of the tipping loads.

Fly Attachment Lift Capacity Charts – Optional

156,527 lb Counterweight – Fully Extended Outriggers – 360° Rotation (All Capacities Are Listed In Thousand Pounds)													
43.3 ft Main Boom Length				111.9 ft Main Boom Length			208.0 ft Main Boom Length			223.1 ft Main Boom Length			Radius (ft)
Radius (ft)	17.7 ft Offset Fly			17.7 ft Offset Fly			17.7 ft Offset Fly			17.7 ft Offset Fly			
	0°	20°	40°	0°	20°	40°	0°	20°	40°	0°	20°	40°	
10	104.2												10
12	97.5	66.3											12
14	91.6	63.8											14
16	86.4	61.3											16
18	81.9	59.2	48.1										18
20	77.7	57.3	47.0	85.3									20
25	69.2	53.2	44.8	85.3									25
30	62.3	49.8	43.1	85.2	60.8	47.3							30
35	56.7	47.0	41.7	81.7	58.5	46.3							35
40	51.6	44.0	40.2	75.4	56.2	45.3							40
45	46.6	41.3		69.8	54.4	44.5							45
50	42.1			64.8	52.6	43.6	23.2			20.3			50
55				60.4	51.1	42.9	22.3	20.7	19.9	20.0	19.1		55
60				56.4	49.6	42.2	21.4	19.9	19.3	19.5	18.4	17.7	60
65				52.9	48.2	41.7	20.6	19.3	18.6	18.8	17.7	17.1	65
70				49.8	47.0	41.1	19.9	18.6	18.1	18.2	17.2	16.5	70
75				47.0	45.6	40.4	19.2	18.0	17.5	17.6	16.7	16.0	75
80				44.3	43.8	39.8	18.6	17.5	16.8	17.1	16.2	15.6	80
85				41.4	41.6	39.5	17.9	17.0	16.3	16.6	15.7	15.2	85
90				38.9	39.6	39.0	17.4	16.7	16.0	16.1	15.3	14.9	90
95				35.9	36.7	36.8	16.9	16.2	15.7	15.6	14.9	14.6	95
100				32.8	33.4	33.6	16.4	15.8	15.3	15.1	14.4	14.2	100
110				27.2	27.7		15.5	14.9	14.7	14.2	13.8	13.6	110
120				22.8			14.6	14.2	14.0	13.5	13.1	12.9	120
130							14.0	13.5	13.3	12.9	12.4	12.2	130
140							13.4	13.0	12.8	12.3	11.9	11.7	140
150							12.7	12.4	12.3	11.8	11.5	11.3	150
160							11.7	11.7	11.7	11.3	11.1	10.9	160
170							10.9	10.9	10.9	10.4	10.4	10.4	170
180							10.0	10.0		9.7	9.7	9.7	180
190							9.1	9.3		9.1	9.1	9.1	190
200							8.1	8.6		8.2	8.2		200
210							7.1			7.1	7.1		210
220										5.9			220

This information is not for crane operation. Operator must refer to the in-cab information for crane operation. Rated lifting capacities shown on fully extended outriggers do not exceed 85% of the tipping loads.

156,527 lb Counterweight – Fully Extended Outriggers – 360° Rotation (All Capacities Are Listed In Thousand Pounds)															
208.0 ft Main Boom Length															
Radius (ft)	43.3 ft Offset Fly			63.0 ft Offset Fly			82.7 ft Offset Fly			102.4 ft Offset Fly			122.0 ft Offset Fly		Radius (ft)
	0°	20°	40°	0°	20°	40°	0°	20°	40°	0°	20°	40°	0°	20°	
45	15.0														45
50	15.0			11.5											50
55	15.0			11.5			8.8								55
60	15.0			11.5			8.8			7.1					60
65	15.0	14.8		11.5			8.8			7.1			5.5		65
70	15.0	14.3		11.5			8.8			7.1			5.5		70
75	15.0	13.9		11.5	11.4		8.8			7.1			5.5		75
80	14.9	13.6	12.5	11.5	11.2		8.8			7.1			5.5		80
85	14.8	13.2	12.1	11.5	10.8		8.8	8.8		7.1			5.5		85
90	14.3	12.9	12.0	11.5	10.5		8.8	8.7		7.1			5.5		90
95	13.9	12.6	11.7	11.5	10.2		8.8	8.5		7.1			5.5		95
100	13.5	12.2	11.4	11.4	9.9	9.2	8.8	8.3		7.1	6.6		5.5		100
110	12.7	11.6	10.9	10.7	9.5	8.7	8.8	7.8	7.1	7.1	6.4		5.5	4.6	110
120	12.1	11.0	10.5	10.1	9.0	8.3	8.5	7.4	6.8	7.1	6.1		5.4	4.6	120
130	11.5	10.4	10.0	9.6	8.6	8.0	8.2	7.1	6.6	6.9	5.8	5.3	5.3	4.4	130
140	11.0	10.1	9.6	9.2	8.3	7.6	7.7	6.8	6.3	6.4	5.4	5.1	5.1	4.3	140
150	10.5	9.7	9.3	8.8	8.0	7.4	7.3	6.4	6.1	6.1	5.2	4.9	5.0	4.1	150
160	10.1	9.4	9.0	8.3	7.6	7.2	7.0	6.1	5.9	5.9	5.0	4.6	4.8	3.9	160
170	9.7	9.1	8.8	8.0	7.3	7.1	6.6	6.0	5.5	5.5	4.9	4.4	4.6	3.8	170
180	9.1	8.7	8.7	7.8	7.0	6.7	6.3	5.8	5.4	5.2	4.5	4.3	4.3	3.6	180
190	8.5	8.4	8.3	7.5	6.7	6.5	6.1	5.5	5.2	5.0	4.3	4.1	4.1	3.4	190
200	8.0	8.0	7.8	7.1	6.6	6.3	5.9	5.2	5.0	4.7	4.1	3.9	3.9	3.3	200
210	7.5	7.5		6.6	6.4	6.2	5.7	5.1	4.8	4.4	4.0	3.7	3.7	3.1	210
220	6.8	7.0		6.3	6.1	6.0	5.4	4.9	4.7	4.2	3.8	3.6	3.4	3.1	220
230	6.0	6.3		5.8	5.7		5.1	4.7	4.5	4.1	3.6	3.4	3.2	3.0	230
240				5.3	5.4		4.7	4.6	4.3	3.8	3.5	3.2	3.0	2.8	240
250				4.8	5.0		4.4	4.4		3.5	3.3	3.1	2.9		250
260							4.1	4.2		3.3	3.1	2.9			260
270							3.5	3.7		3.1	3.0				270
280							2.8	3.0		2.7	2.8				280

This information is not for crane operation. Operator must refer to the in-cab information for crane operation. Rated lifting capacities shown on fully extended outriggers do not exceed 85% of the tipping loads.

156,527 lb Counterweight – Fully Extended Outriggers – 360° Rotation (All Capacities Are Listed In Thousand Pounds)														
223.1 ft Main Boom Length														
Radius (ft)	43.3 ft Offset Fly			63.0 ft Offset Fly			82.7 ft Offset Fly			102.4 ft Offset Fly			122.0 ft Offset Fly	Radius (ft)
	0°	20°	40°	0°	20°	40°	0°	20°	40°	0°	20°	40°	0°	
50	13.0													50
55	13.0			10.1										55
60	13.0			10.1										60
65	13.0	13.0		10.1			7.9			6.2				65
70	13.0	13.0		10.1			7.9			6.2			5.1	70
75	13.0	12.9		10.1			7.9			6.2			5.1	75
80	13.0	12.7	11.8	10.1	10.1		7.9			6.2			5.1	80
85	13.0	12.4	11.5	10.1	10.1		7.9			6.2			5.1	85
90	13.0	12.0	11.1	10.1	9.8		7.9			6.2			5.1	90
95	12.8	11.7	10.9	10.1	9.6		7.9	7.9		6.2			5.1	95
100	12.5	11.4	10.7	10.1	9.4	8.5	7.9	7.8		6.2			5.1	100
110	11.8	10.7	10.2	10.0	8.9	8.2	7.9	7.3		6.2	6.0		5.1	110
120	11.3	10.2	9.8	9.4	8.5	7.9	7.9	7.0	6.6	6.2	5.7		5.1	120
130	10.7	9.7	9.3	8.9	8.0	7.5	7.5	6.7	6.2	6.2	5.6		5.1	130
140	10.1	9.4	9.0	8.5	7.6	7.2	7.2	6.3	5.9	6.0	5.2		4.9	140
150	9.7	9.1	8.6	8.2	7.3	7.0	6.9	6.1	5.6	5.8	5.0	4.5	4.8	150
160	9.4	8.7	8.3	7.9	7.0	6.7	6.5	5.9	5.5	5.4	4.8	4.4	4.5	160
170	8.8	8.4	8.2	7.5	6.8	6.4	6.2	5.5	5.3	5.1	4.4	4.2	4.2	170
180	8.5	8.1	7.8	7.2	6.5	6.2	5.9	5.4	5.1	4.8	4.3	4.1	4.0	180
190	8.2	7.8	7.6	6.8	6.3	6.1	5.6	5.1	5.0	4.5	4.1	3.9	3.9	190
200	7.7	7.6	7.4	6.6	6.1	5.9	5.5	4.8	4.8	4.4	3.9	3.7	3.6	200
210	7.1	7.3	7.3	6.4	6.0	5.7	5.3	4.6	4.6	4.2	3.7	3.5	3.3	210
220	6.5	6.8		6.1	5.8	5.6	5.1	4.6	4.5	4.0	3.6	3.4	3.1	220
230	5.8	6.0		5.6	5.6	5.5	4.8	4.5	4.3	3.9	3.4	3.2	3.0	230
240	5.0	5.2		5.1	5.3		4.5	4.3	4.1	3.7	3.2	3.0	2.8	240
250	4.1	4.4		4.6	4.8		4.2	4.2	4.0	3.5	3.1	2.9		250
260				3.9	4.1		3.8	4.0		3.2	2.9			260
270								3.7						270
280								3.4						280

This information is not for crane operation. Operator must refer to the in-cab information for crane operation. Rated lifting capacities shown on fully extended outriggers do not exceed 85% of the tipping loads.