



175 USt



217 ft



236 ft



302 ft

The jewel in your fleet

LTM 1150-5.3

Mobile crane

Grue mobile

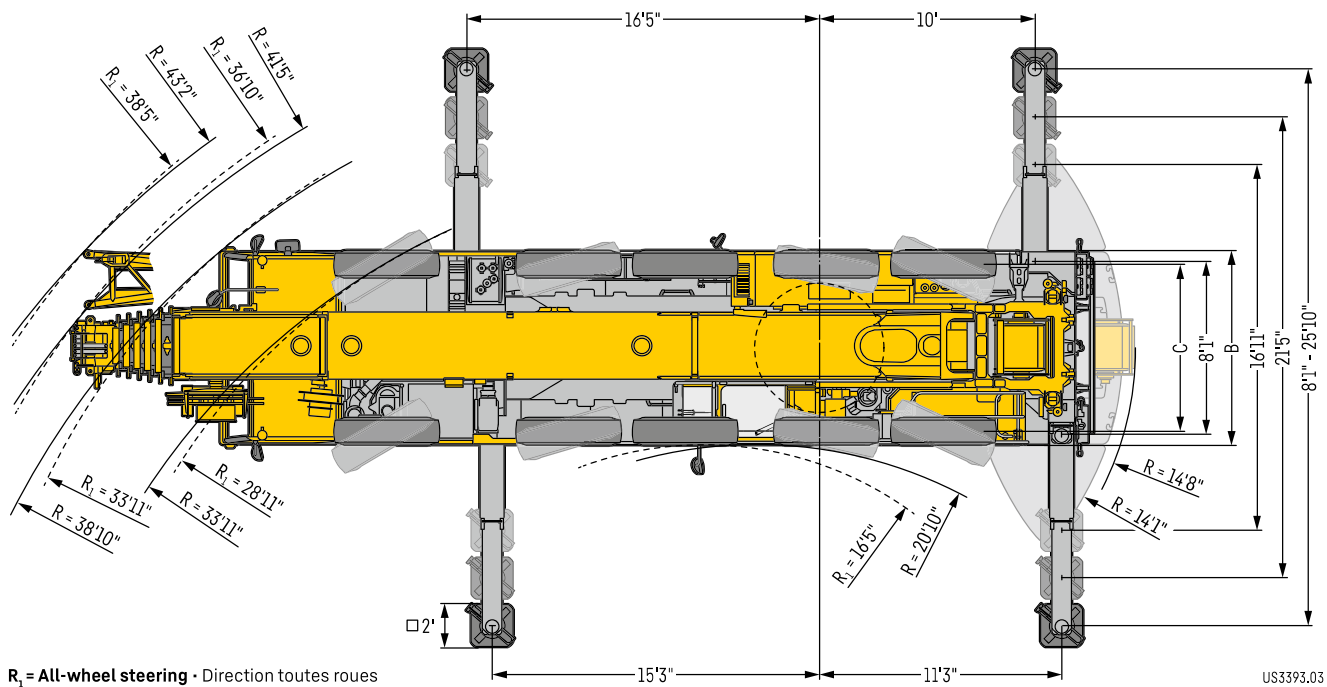
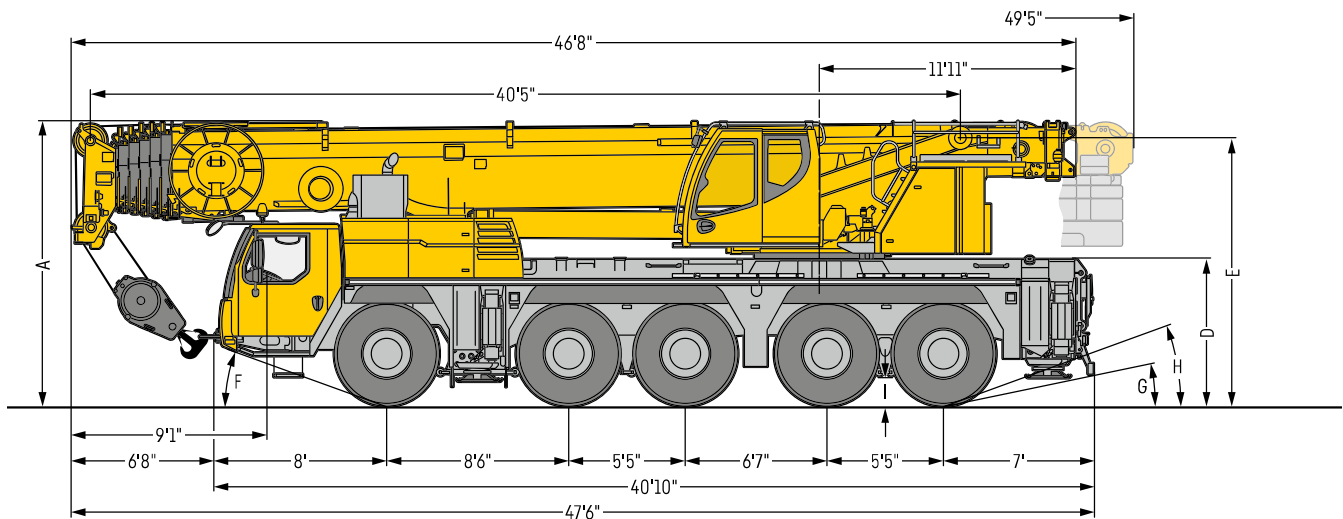
LIEBHERR

Mobile and crawler cranes



Dimensions

Encombrement



R₁ = All-wheel steering - Direction toutes roues

US3393.03

Dimensions - Encombrement

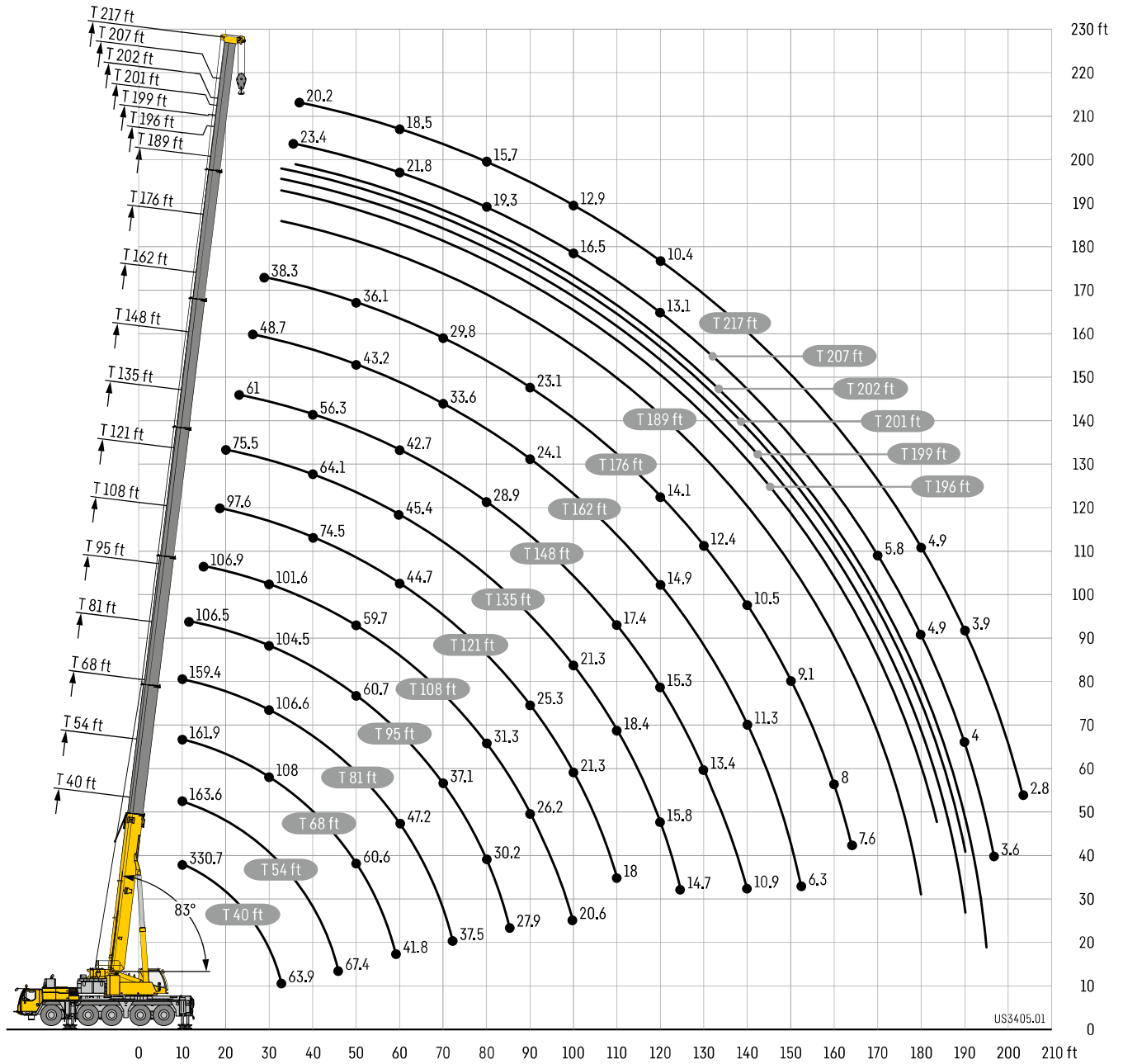
	A	A	B	C	D	E	F	G	H	I
		5"*								
445/95 R 25 (16.00 R 25)	13'1"	12'9"	9'	7'7"	6'9"	12'4"	20°	11°	20°	1'3"
525/80 R 25 (20.5 R 25)	13'1"	12'9"	9'4"	7'7"	6'9"	12'4"	20°	11°	20°	1'3"

* lowered - abaissé

Lifting heights

Hauteurs de levage

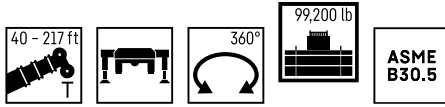
T



Lifting capacities

Forces de levage

T



	40 ft		54 ft	68 ft	81 ft	95 ft	108 ft	121 ft	135 ft	148 ft	162 ft	176 ft	189 ft	196 ft	199 ft	201 ft	202 ft	207 ft	217 ft			
	*																					
10	330.7	189.6	163.6	161.9	159.4																10	
11	251.8	189.6	163.6	161.9	159.4	106.5															11	
12	238.7	189.6	163.6	161.9	159.4	144.7															12	
13	225.6	189.6	163.6	161.9	159.4	144.3															13	
14	213.3	189.6	163.6	161.9	159.4	144.3	106.9														14	
15	202.1	187.8	163.6	161.9	159.4	144.3	114.9														15	
16	192.1	182.6	163.6	161.9	159.4	144.3	114.9														16	
17	184.5	175.1	163.6	161.5	158	144.3	114.9	97.6													17	
18	177.7	168	162.9	159.5	154.5	144.3	114.9	97.6													18	
19	171.3	161.4	161.4	156.1	149.4	142.2	114.9	97.6													19	
20	165.4	155.3	155.4	150.7	144.4	138.6	114.8	97.6	75.5												20	
22	154.1	144	144.1	141.8	137.3	130.1	113.4	97.6	75.5												22	
24	140.3	134.1	134.9	134.1	128.9	122.6	110.1	97.6	75.5	61											24	
26	128	125.2	126.1	126.1	121.5	115.9	106.9	97.6	75.4	61	48.7										26	
28	117.2	115.7	116.8	117	114.3	110	105.7	97.6	74.7	61	48.7	38.3									28	
30	108.1	106.6	107.7	108	106.6	104.5	101.6	96.8	73.3	61	48.7	38.3									30	
32	97.2	97.5	100.6	101.2	100.6	98.6	96.4	92.8	71.6	60.5	48.7	38.3	31.2	27.7							32	
34	63.9	64.1	93.7	94.5	94.4	92.6	91.2	87.8	69.9	59.6	48.7	38.3	31.2	27.6	26.5	25.8	25.3	23.4			34	
36			87.5	88.4	89.3	86.8	86.1	83	68	58.7	48.6	38.3	31.2	27.4	26.4	25.7	25.3	23.4	20.2		36	
38			82.1	82.9	83.8	81.8	81.2	78.5	66	57.5	48.2	38.3	31.2	27.3	26.2	25.5	25.2	23.3	20.1		38	
40			77.3	78.1	78.9	77.9	76.8	74.5	64.1	56.3	47.7	38.2	31.2	27.1	26.1	25.3	25.1	23.2	20		40	
45			67.4	67.8	68.6	68.7	67.4	65.2	59.2	52.9	45.5	37.3	30.8	26.6	25.6	24.7	24.8	23	19.8		45	
50				60.6	60.4	60.7	59.7	57.1	54.1	49.5	43.2	36.1	30.1	26	25	23.9	24.4	22.7	19.4		50	
55				53.3	53.7	53.3	52.5	50.6	49	46.3	40.8	34.6	29.2	25.2	24.4	22.9	23.9	22.3	19		55	
60				41.8	47.2	46.8	45.9	44.7	45.4	42.7	38.4	33	28.2	24.3	23.6	22	23.3	21.8	18.5		60	
65					41.9	41.5	40.6	41.3	40.7	38.7	36	31.4	27.2	23.3	22.7	21	22.6	21.3	17.8		65	
70					37.1	36.6	37.4	36.3	35	33.6	29.8	26.1	22.3	21.7	20	21.9	20.6	17.1			70	
75					33.4	34.3	33.6	32.5	32.1	30.8	28.3	25	21.4	20.8	19	21.1	20	16.4			75	
80						30.2	31.3	30.4	29.3	28.9	27.8	27.1	23.9	20.5	19.8	18.1	20.3	19.3	15.7		80	
85						27.9	28.5	27.7	26.8	26.2	26.1	25.6	22.8	19.7	18.8	17.1	19.5	18.6	15		85	
90							26.2	25.3	24.4	24.6	24.1	23.1	21.8	18.9	17.9	16.2	18.8	17.9	14.3		90	
95							24.1	23.1	22.8	22.5	21.9	20.9	20.5	18.2	17.1	15.5	18.1	17.2	13.6		95	
100							20.6	21.3	21.3	20.8	20.2	19.8	18.8	17.4	16.3	14.8	17.4	16.5	12.9		100	
105								19.6	20	19	18.5	18.1	17.3	16.8	15.5	14	16.7	15.9	12.2		105	
110								18	18.4	17.4	16.9	16.8	16.1	15.6	14.8	13.3	15.6	15.3	11.6		110	
115									17	16.5	16	15.4	15.1	14.2	13.9	12.5	14.2	14.4	11		115	
120									15.8	15.3	14.9	14.1	13.9	13.7	12.9	11.9	12.9	13.1	10.4		120	
125									14.7	14.2	13.7	13.2	12.7	12.9	11.9	11.2	11.8	11.9	9.8		125	
130										13.4	12.6	12.4	11.6	11.8	11.3	10.6	10.7	10.8	9.4		130	
135										12.5	12.1	11.4	10.7	10.8	10.3	10.1	9.8	9.9	8.9		135	
140										10.9	11.3	10.5	9.8	9.9	9.5	9.6	9.1	9.2	8.5		140	
145											10.5	9.7	9.1	9.2	8.8	9.1	8.4	8.5	8.1		145	
150											9.8	9.1	8.5	8.6	8.2	8.5	7.8	7.9	7.8		150	
155											6.3	8.5	7.9	8	7.6	8	7.2	7.3	7.3		155	
160												8	7.4	7.5	7.1	7.4	6.6	6.8	6.7		160	
165												7.6	6.9	7	6.6	6.9	6.2	6.3	6.2		165	
170													6.5	6.6	6.1	6.5	5.7	5.8	5.8		170	
175													6.1	6.1	5.7	6	5.2	5.4	5.3		175	
180														5.3	5.7	5.3	5.6	4.7	4.9		180	
185															5.3	4.8	5.2	4.3	4.5	4.4		185
190																3.7	4.8	3.9	4	3.9		190
195																	2	3.6	3.5		195	
200																			3.1			200
205																			2.8			205

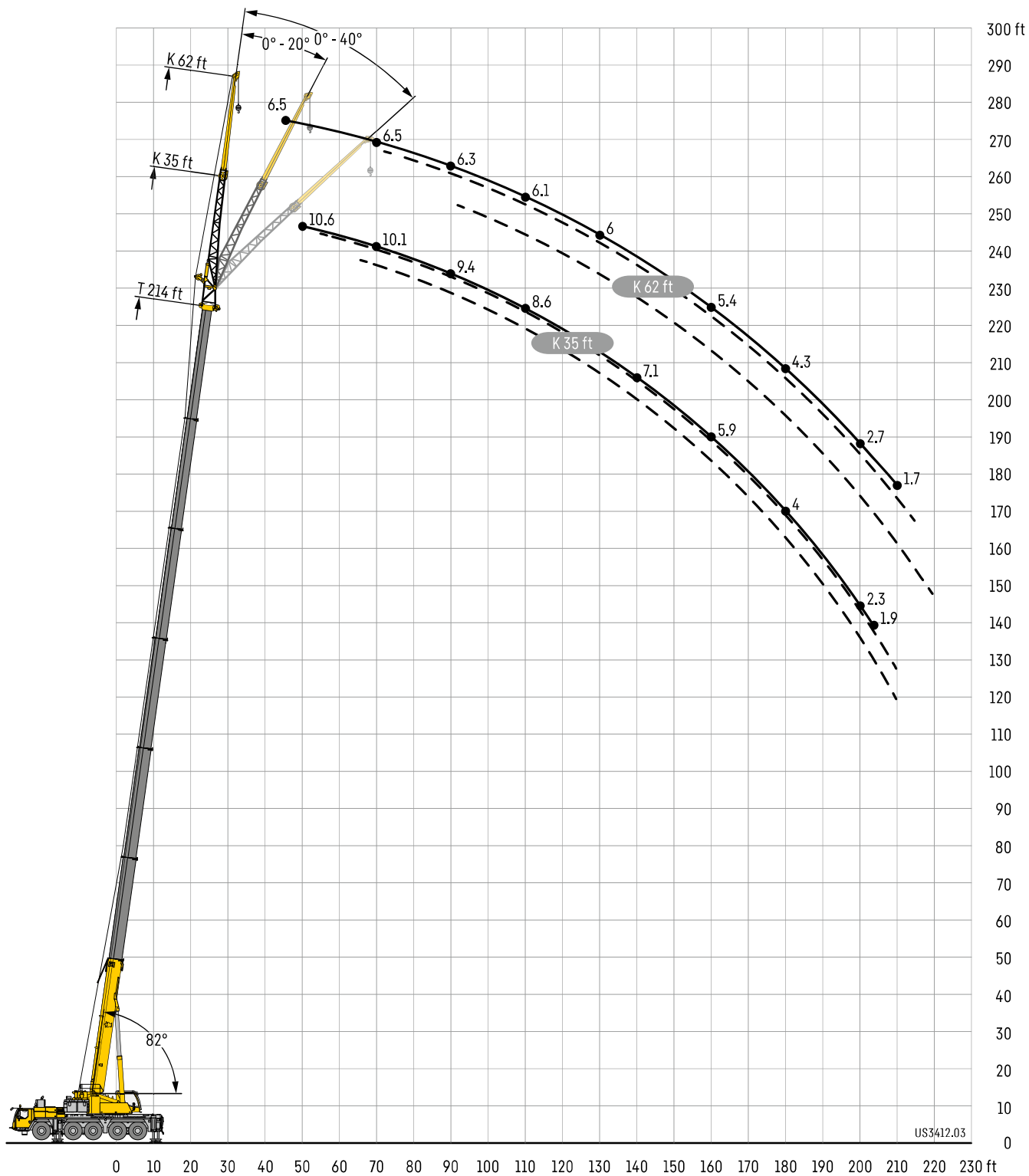
* ± 0° over rear - en arriere

t_286_001_99998_00_000 - maxt_286_001_00001_00_000

Lifting heights

Hauteurs de levage

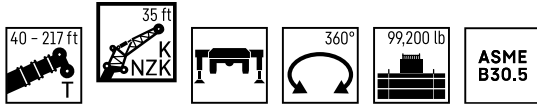
TK/TNZK



Lifting capacities

Forces de levage

TK/TNZK



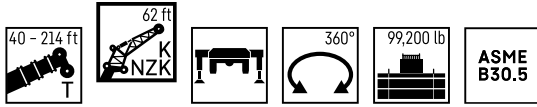
	189 ft			201 ft			202 ft			214 ft			217 ft			
	35 ft															
	0°	20°	40°	0°	20°	40°	0°	20°	40°	0°	20°	40°	0°	20°	40°	
45	16.6			12.1												45
50	16.5	16.6		12	12.1		13.1	13.2		10.6			10.3			50
55	16.4	16.3		11.9	11.9		13.1	13		10.5	10.6		10.2	10.3		55
60	16.2	16	15.8	11.7	11.7	11.7	12.9	12.7	12.6	10.4	10.5		10.1	10.2		60
65	16	15.8	15.6	11.4	11.4	11.5	12.8	12.5	12.5	10.2	10.3	10.3	10	10	10.1	65
70	15.7	15.4	15.3	11.1	11.1	11.2	12.6	12.4	12.4	10.1	10.1	10.2	9.9	9.9	10	70
75	15.3	15	14.8	10.8	10.7	10.9	12.3	12.1	12.2	9.9	9.9	10.1	9.7	9.8	9.9	75
80	15	14.6	14.4	10.5	10.4	10.5	12.1	11.9	11.9	9.7	9.7	9.9	9.6	9.6	9.7	80
85	14.5	14.2	13.9	10.2	10.1	10.2	11.8	11.6	11.5	9.6	9.5	9.7	9.4	9.4	9.5	85
90	14.1	13.7	13.5	9.9	9.8	9.9	11.5	11.2	11.2	9.4	9.3	9.4	9.2	9.2	9.3	90
95	13.6	13.3	13.1	9.7	9.6	9.6	11.2	10.9	10.8	9.2	9.1	9.2	9	9	9.1	95
100	13.1	12.8	12.7	9.4	9.3	9.4	10.8	10.5	10.5	9	8.9	9	8.8	8.8	8.9	100
105	12.6	12.4	12.4	9.1	9.1	9.1	10.5	10.2	10.2	8.8	8.7	8.8	8.6	8.6	8.7	105
110	12.1	12	12	8.9	8.8	8.9	10.2	9.9	9.9	8.6	8.5	8.6	8.3	8.4	8.5	110
115	11.7	11.5	11.6	8.6	8.6	8.6	9.9	9.7	9.7	8.3	8.3	8.4	8	8.2	8.3	115
120	11.2	11.1	11.2	8.3	8.3	8.4	9.6	9.4	9.5	8.1	8.1	8.2	7.6	7.9	8.1	120
125	10.5	10.7	10.8	8.1	8.1	8.2	9.4	9.2	9.2	7.9	7.9	8	7.4	7.6	7.8	125
130	9.6	10.2	10.4	7.8	7.8	7.9	9.1	9	9	7.6	7.7	7.8	7.1	7.3	7.5	130
135	8.9	9.4	9.8	7.5	7.6	7.7	8.8	8.8	8.8	7.4	7.4	7.6	6.8	7	7.2	135
140	8.7	8.6	9	7.2	7.3	7.5	8.3	8.6	8.6	7.1	7.2	7.3	6.5	6.7	6.9	140
145	8.4	8.4	8.5	7	7.1	7.2	7.7	8.1	8.4	6.9	7	7.1	6.2	6.4	6.6	145
150	7.8	8.2	8.3	6.7	6.8	7	7.1	7.6	7.9	6.7	6.8	6.9	5.9	6.1	6.3	150
155	7.2	7.6	7.9	6.4	6.5	6.7	6.5	7	7.3	6.4	6.5	6.7	5.6	5.8	6	155
160	6.7	7.1	7.3	6.1	6.3	6.4	6	6.4	6.7	5.9	6.3	6.4	5.4	5.6	5.7	160
165	6.2	6.5	6.7	5.9	6	6.1	5.5	5.9	6.1	5.4	5.8	6.1	5.1	5.3	5.4	165
170	5.7	6.1	6.2	5.6	5.8	5.9	5	5.4	5.6	4.9	5.3	5.6	4.8	5	5.2	170
175	5.3	5.6	5.7	5.2	5.5	5.6	4.5	4.9	5.1	4.5	4.9	5.1	4.4	4.7	4.9	175
180	4.9	5.1	5.3	4.8	5.1	5.2	4	4.4	4.6	4	4.4	4.6	3.9	4.3	4.5	180
185	4.4	4.7	4.8	4.3	4.7	4.8	3.5	3.9	4.1	3.5	3.9	4.2	3.4	3.8	4.1	185
190	3.9	4.2	4.3	3.9	4.2	4.4	3.1	3.4	3.6	3.1	3.5	3.7	3	3.4	3.6	190
195	3.5	3.8	3.8	3.5	3.8	3.9	2.7	3	3.1	2.7	3	3.2	2.5	2.9	3.1	195
200	3.1	3.3	3.3	3.1	3.3	3.4	2.3	2.6	2.6	2.3	2.6	2.7	2.1	2.5	2.6	200
205	2.8	2.9		2.7	2.9	3	1.9	2.1	2.2	1.9	2.2	2.3	1.6	2.1	2.2	205
210	2.4	2.5		2.4	2.6	2.6	1.6	1.8	1.8		1.8	1.9			1.7	210
215	1.7			2	2.2		1.1	1.4								215
220				1.7	1.8											220

maxt_286_003_00001_00_000

Lifting capacities

Forces de levage

TK/TNZK



	189 ft			201 ft			202 ft			214 ft			
	62 ft												
	0°	20°	40°	0°	20°	40°	0°	20°	40°	0°	20°	40°	
45	9.6									6.5			45
50	9.6			7.9			8.4			6.5			50
55	9.5			7.8			8.3			6.5			55
60	9.4	8.5		7.6			8.1			6.5			60
65	9.4	8.4		7.4	7		8	7.5		6.5			65
70	9.3	8.2		7.3	7		7.8	7.4		6.5	6.4		70
75	9.2	8.1		7.1	7		7.7	7.4		6.5	6.3		75
80	9	7.9	7	7.1	6.9		7.6	7.3		6.5	6.3		80
85	8.9	7.8	6.9	7	6.9	6.7	7.5	7.3	6.8	6.4	6.3		85
90	8.8	7.7	6.9	6.9	6.9	6.7	7.4	7.3	6.7	6.3	6.3	6.2	90
95	8.7	7.6	6.8	6.8	6.9	6.6	7.3	7.3	6.7	6.2	6.3	6.2	95
100	8.5	7.5	6.8	6.8	6.8	6.6	7.3	7.2	6.6	6.2	6.3	6.2	100
105	8.4	7.4	6.7	6.7	6.8	6.6	7.2	7.1	6.6	6.1	6.3	6.2	105
110	8.3	7.3	6.7	6.7	6.8	6.5	7.1	7.1	6.6	6.1	6.3	6.2	110
115	8.1	7.2	6.7	6.7	6.8	6.5	7.1	7	6.5	6	6.2	6.2	115
120	8	7.1	6.6	6.6	6.7	6.5	7	6.9	6.5	6	6.2	6.2	120
125	7.9	7.1	6.6	6.6	6.6	6.5	7	6.9	6.5	6	6.2	6.2	125
130	7.8	7	6.6	6.4	6.5	6.5	7	6.8	6.5	6	6.2	6.2	130
135	7.6	6.9	6.6	6.3	6.3	6.4	6.9	6.8	6.5	5.9	6.1	6.2	135
140	7.4	6.9	6.6	6.1	6.1	6.3	6.9	6.7	6.5	5.8	6	6.1	140
145	7.2	6.8	6.6	5.9	6	6.1	6.8	6.6	6.5	5.8	5.8	6	145
150	7	6.8	6.6	5.8	5.8	6	6.6	6.5	6.5	5.6	5.7	5.9	150
155	6.7	6.8	6.6	5.6	5.7	5.8	6.5	6.4	6.4	5.5	5.6	5.7	155
160	6.4	6.7	6.6	5.5	5.5	5.7	6.2	6.3	6.4	5.4	5.4	5.6	160
165	6.2	6.4	6.6	5.3	5.4	5.6	5.8	6.2	6.3	5.2	5.3	5.5	165
170	6	6	6.4	5.1	5.3	5.4	5.3	6	6.1	5	5.2	5.4	170
175	5.6	5.9	6	4.9	5.1	5.3	4.9	5.6	5.9	4.7	5	5.2	175
180	5.2	5.7	5.9	4.7	4.9	5.1	4.5	5.2	5.6	4.3	4.9	5.1	180
185	4.8	5.4	5.7	4.5	4.7	4.9	4.1	4.7	5.1	3.9	4.7	4.9	185
190	4.4	4.9	5.2	4.3	4.5	4.7	3.6	4.3	4.7	3.5	4.2	4.6	190
195	4	4.6	4.8	3.9	4.3	4.5	3.2	3.9	4.3	3.1	3.8	4.2	195
200	3.6	4.2	4.4	3.5	4.1	4.3	2.8	3.4	3.8	2.7	3.4	3.8	200
205	3.2	3.7	4	3.1	3.7	4	2.4	3	3.3	2.3	3	3.4	205
210	2.9	3.3	3.5	2.8	3.3	3.5	2	2.6	2.9	1.7	2.6	2.9	210
215	2.5	2.9	3.1	2.4	2.9	3.1	1.7	2.2	2.4		2.2	2.5	215
220	2.2	2.6	2.6	2.1	2.5	2.7		1.9	2			2.1	220
225	1.9	2.2	2.2	1.5	2.2	2.3		1.5	1.6				225
230	1.6	1.9			1.7	1.9							230
235	1.4	1.5											235

maxt_286_003_01001_00_000