

# Technical Data

## Specifications & Capacities

# 120|HT

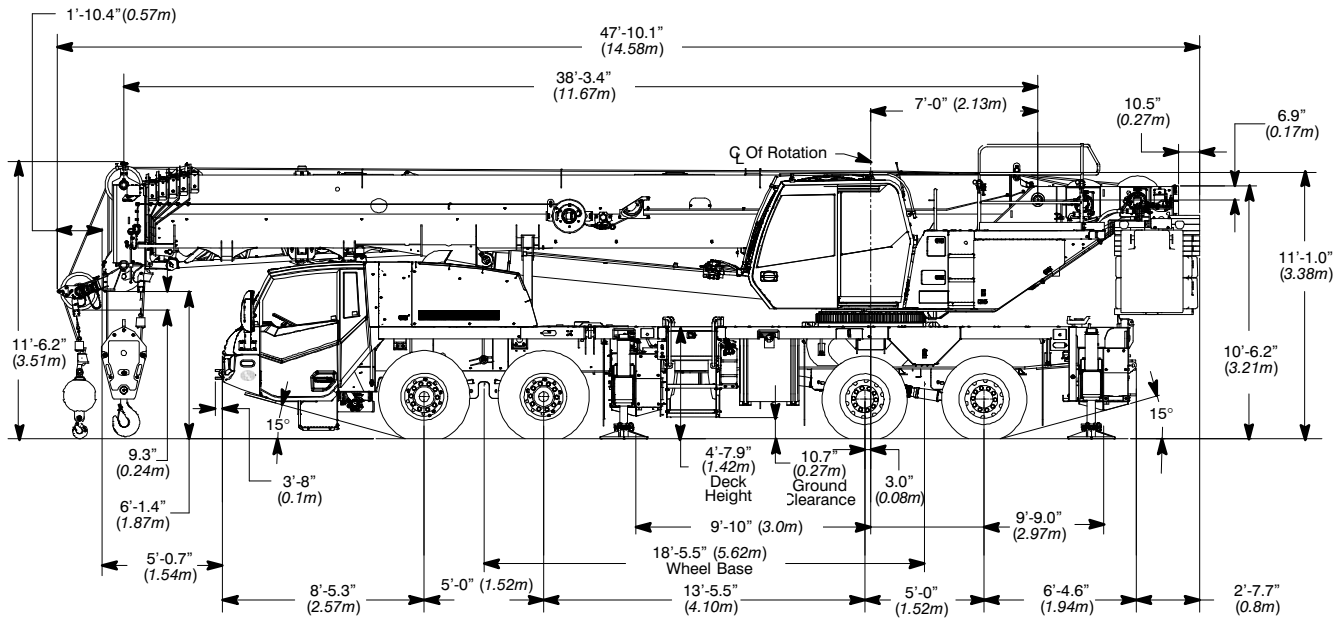
Telescopic Boom Truck Crane  
120 US ton  
110 metric ton



**CAUTION:** This material is supplied for reference use only. Operator must refer to in-cab Crane Rating Manual and Operator's Manual to determine allowable crane lifting capacities and assembly and operating procedures.

# General Dimensions

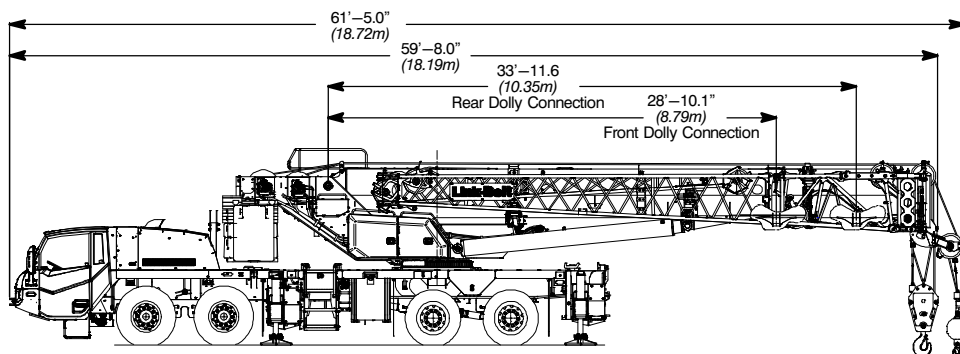
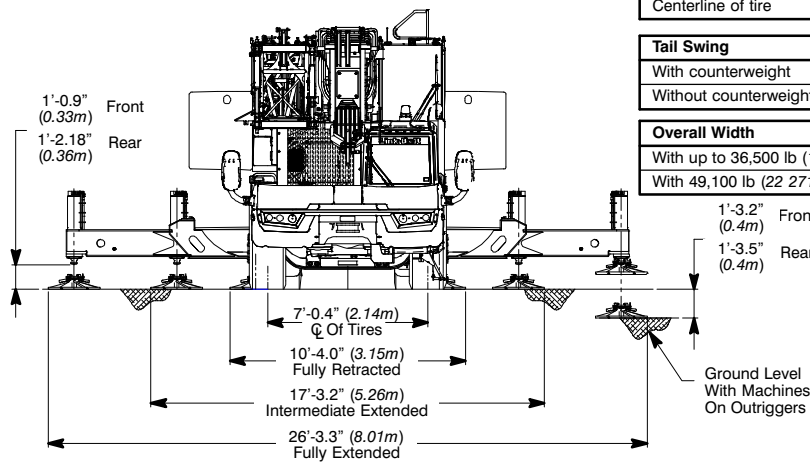
## EPA 2021



Turning Radius	English	Metric
Wall to wall over carrier	49'-6.5"	15.1m
Wall to wall over boom	50'-7.8"	15.4m
Wall to wall over boom attachment	51'-10.3"	15.8m
Curb to curb	44'-11.0"	13.7m
Centerline of tire	44'-0.9"	13.4m

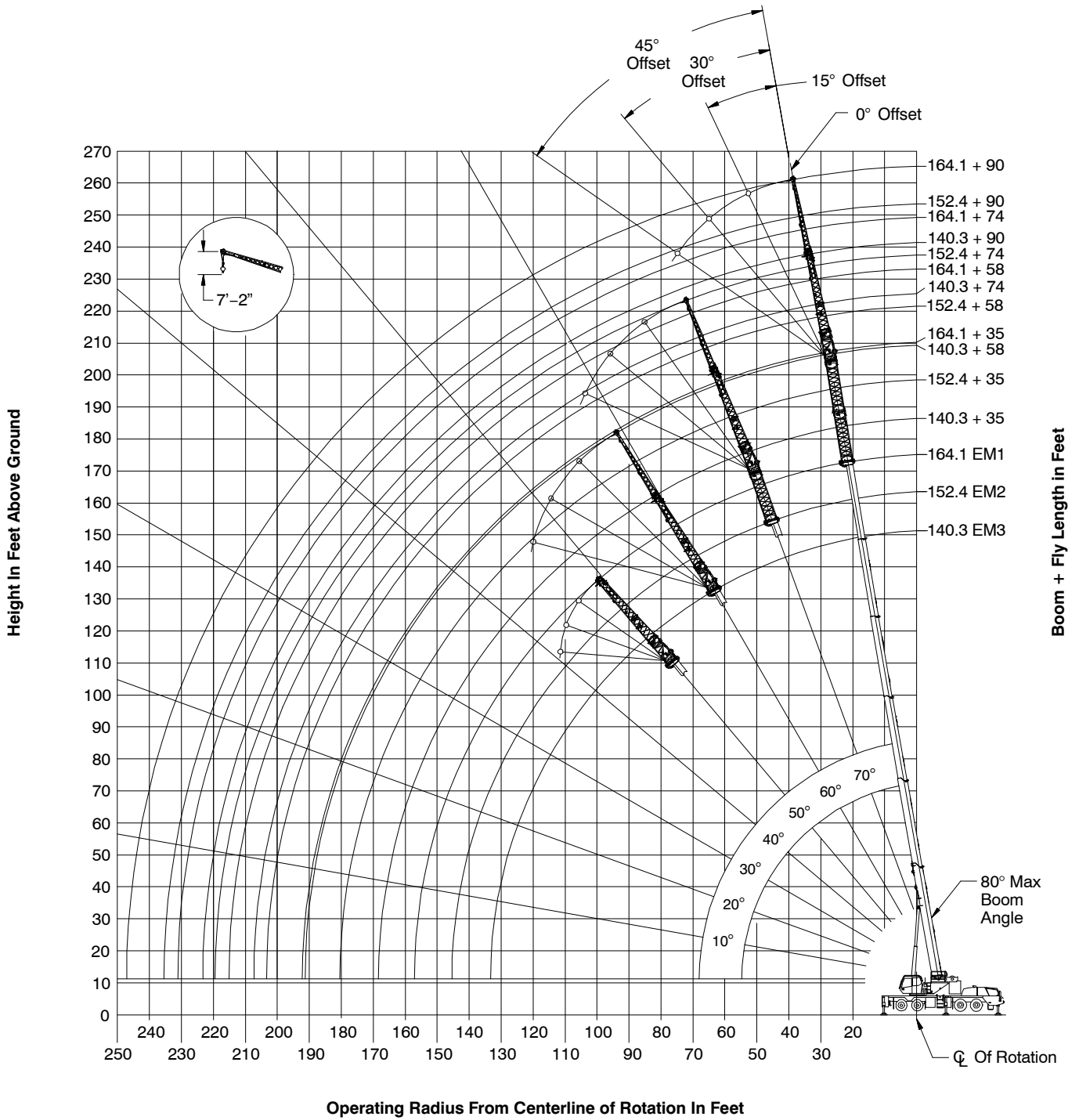
Tail Swing	English	Metric
With counterweight	13' 9"	4.2m
Without counterweight	13' 0"	4.0m

Overall Width	English	Metric
With up to 36,500 lb (16 556.1kg) counterweight	8' 6"	2.6m
With 49,100 lb (22 271.4kg) counterweight	13' 11"	4.2m



Not To Scale

# Working Range Diagram Main Boom + Attachments



49,100 lb Counterweight – Fully Extended Outriggers – 360° Rotation (All Capacities Are Listed In Pounds)												
Radius (ft)	Boom Length (ft)											Radius (ft)
	38.3	49.99-50.45	60-63.03	73.84-76.05	85-89.50	99.44-100	110-115	125-126.34	137.20-140.25	150-152.41	164.1	
7	240,000											7
8	205,000											8
9	180,000											9
10	172,400	160,700	137,600									10
12	156,100	147,300	137,600	120,400								12
15	135,900	130,800	125,000	120,400	91,500							15
20	101,800	103,900	103,800	102,500	91,500	65,800	50,500					20
25	79,500	81,900	82,400	81,600	80,100	65,800	50,500	38,800	25,400			25
30	64,100	66,800	67,500	67,100	65,900	65,800	50,500	38,800	30,800	24,400		30
35		55,800	56,600	57,400	57,400	56,400	46,400	38,800	30,800	24,400	19,600	35
40		47,400	48,700	49,700	49,300	48,300	41,900	38,300	30,800	24,400	19,600	40
45			42,900	43,300	42,900	42,100	38,000	35,300	30,800	24,400	19,600	45
50			37,600	38,000	37,700	36,900	34,700	33,100	29,600	24,400	19,600	50
55			31,300	32,900	32,700	31,800	31,100	30,800	27,500	24,400	19,600	55
60				28,800	28,600	28,700	28,500	27,900	25,700	23,800	19,600	60
65				25,400	25,100	25,800	25,100	24,500	24,000	22,500	19,600	65
70					22,300	23,200	22,400	21,700	22,100	21,500	19,600	70
75					21,100	20,800	20,000	19,600	19,700	20,200	19,000	75
80					18,300	18,700	18,700	18,400	17,700	18,300	17,700	80
85						16,900	16,900	16,700	16,600	16,500	15,900	85
90						15,400	15,400	15,800	15,600	15,100	14,500	90
95							14,000	14,600	14,300	13,700	13,200	95
100							12,800	13,300	13,100	12,500	11,900	100
105							10,800	12,200	11,900	11,400	10,800	105
110								11,200	10,900	10,400	9,900	110
115								10,300	10,000	9,500	9,000	115
120									9,200	8,700	8,100	120
125									8,500	7,900	7,400	125
130									7,700	7,200	6,700	130
135										6,600	6,100	135
140										6,000	5,500	140
145										4,400	5,000	145
150											4,500	150
155											4,000	155

This information is not for crane operation. Operator must refer to the in-cab information for crane operation. Rated lifting capacities shown on fully extended outriggers do not exceed 85% of the tipping loads and on tires do not exceed 75% of the tipping loads.