



50 Ton

Fully Extended Outriggers - 360 Degree Rotation

(All capacities are listed in pounds)

Radius (ft)	Boom Length (ft)										Radius (ft)	
	35	40	50	60	65	70	80	90	95	110		
10	100,000		60,000									10
12	100,000		60,000									12
15	83,400		60,000		58,700							15
20	60,200		60,000		52,100		38,600					20
25	46,100		47,400		46,800		33,500		29,200			25
30	36,600		33,800		34,300		29,500		25,800		22,800	30
35			25,300		25,900		26,200		22,900		20,400	35
40			19,500		20,200		20,500		20,700		18,300	40
45			15,300		16,200		16,500		16,700		16,400	45
50					13,200		13,500		13,700		13,900	50
55					10,800		11,200		11,400		11,600	55
60					8,800		9,300		9,600		9,700	60
65							7,800		8,000		8,200	65
70							6,500		6,800		6,900	70
75							5,300		5,700		5,900	75
80									4,700		4,900	80
85									3,900		4,100	85
90									3,100		3,400	90
95											2,800	95
100											2,200	100
105											1,600	105



50 Ton

Fully Extended Outriggers - 360 Degree Rotation

(All capacities are listed in pounds)

110' ' Main Boom

Radius (ft)	0 Degree Offset		15 Degree Offset				30 Degree Offset		Radius (ft)
	33	57		33	57		33	57	
42	12,500								42
47	11,800	6,500		8,400					47
53	11,200			8,100					53
54		6,100		8,100			6,500		54
59	9,800	5,800		7,700			6,300		59
64					4,500		6,200		64
66	8,200	5,500		7,300	4,300		5,900		66
72	6,700			7,000	4,100		5,800	3,300	72
78	5,600	5,100		6,000	3,800		5,600	3,200	78
84	4,400	4,700		5,000	3,600		4,800	3,100	84
91	3,400	4,300		4,100			3,900	3,000	91
97	2,700			3,200	3,400		3,000	2,900	97
104	2,000	3,400		2,400	3,300		2,400	2,800	104
110	1,400	2,600		1,900	3,100		1,800	2,700	110
117	800	2,000		1,300	2,400		1,200	2,600	117
124		1,400		700	1,800		700	2,100	124
130					1,300			1,700	130
136					900			1,200	136
137		900						800	137



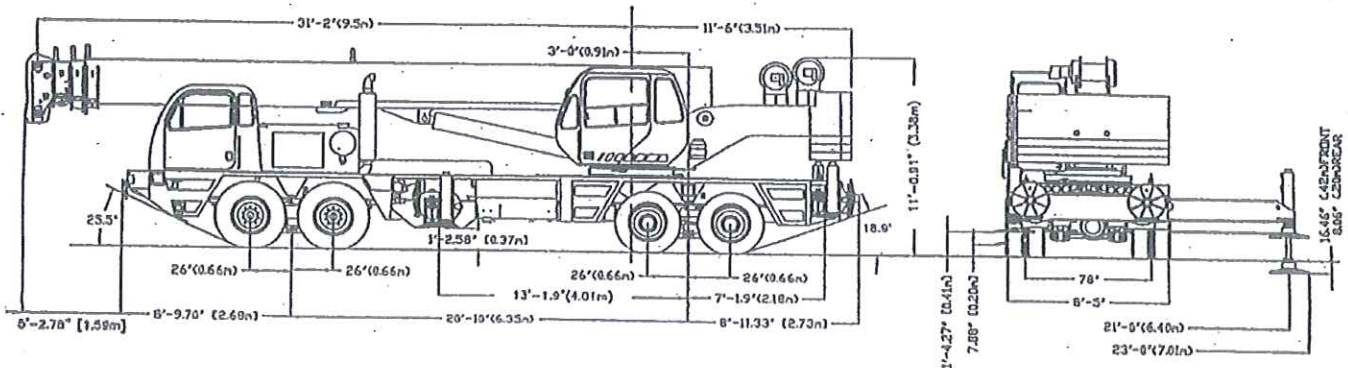
50 Ton
Terex T550

50 TON HYDRAULIC TRUCK CRANE

50 TON CAPACITY
TEREX

T550

BASIC DIMENSIONS



	'A'	'B'
FULLY EXTENDED OUTRIGGERS	21'-0"	23'-0"
PINNED OUTRIGGERS	14'-4.5"	16'-4.5"
FULLY RETRACTED OUTRIGGERS	7'-8.5"	9'-8.5"

NOTE: DUMPING THE AIR SUSPENSION
LOWERS THE CRANE 2".



1089 VAN REED ROAD • READING, PA 19605
PHONE 610-376-6367 • FAX 610-373-3859



50 Ton
Terex T550

