



60 Ton

Rated Load On Fully Extended Outriggers

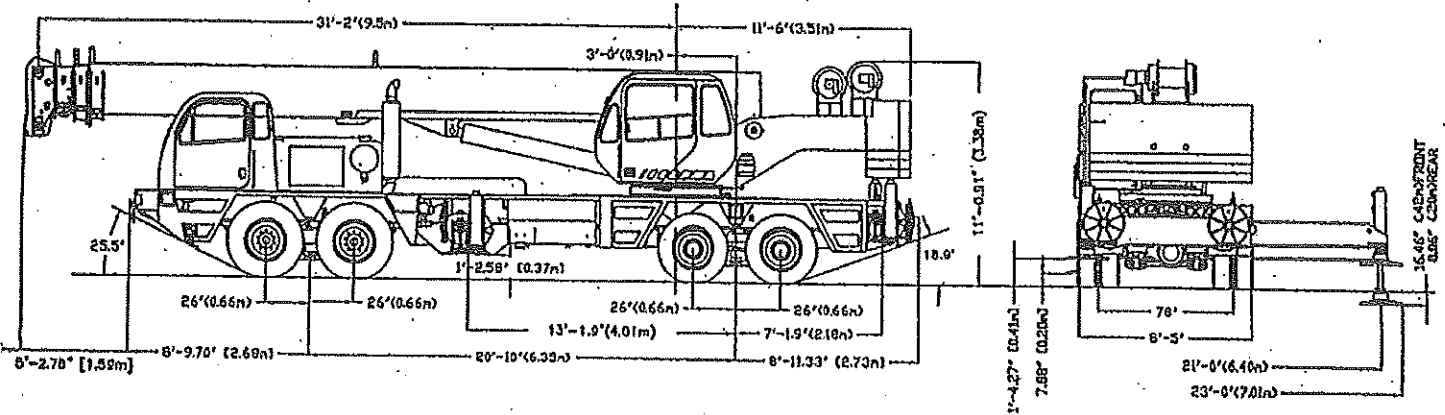
(All capacities are listed in pounds)

Load Radius (ft)	Boom Angle	Over Rear (lb)	360 Degree (lb)	Load Radius (ft)	Boom Angle	Over Rear (lb)	360 Degree (lb)	Load Radius (ft)	Boom Angle	Over Rear (lb)	360 Degree (lb)
Boom Length 35 Ft				Boom Length 50 Ft							
10	66.7	100,000	100,000	10	73.9	80,000	80,000				
12	63.1	100,000	100,000	12	71.5	80,000	80,000	Boom Length 65 Ft			
15	57.4	87,100	82,800	15	67.8	78,400	78,400	15	73.2	61,900	61,900
20	47.1	62,900	62,500	20	61.5	63,300	63,300	20	68.5	54,800	54,800
25	34.5	48,300	48,300	25	54.8	49,600	49,600	25	63.7	49,100	49,100
30	14.8	36,800	36,700	30	47.4	39,900	38,600	30	58.6	40,500	39,100
31.2	0	20,900	20,900	35	39.1	32,800	29,100	35	53.3	33,500	29,700
				40	28.8	27,500	22,700	40	47.6	28,300	23,400
				45	12.4	22,200	18,100	45	41.3	24,200	19,000
				46.2	0	12,700	12,700	50	34.1	20,800	15,600
								55	25.2	17,900	12,900
								60	10.9	14,700	10,700
								61.2	0	8,300	8,300
Boom Length 80 Ft				Boom Length 95 Ft							
20	72.7	46,200	46,200	25	72.3	35,300	35,300	Boom Length 110 Ft			
25	68.9	40,700	40,700	30	69.1	31,100	31,100	30	72.1	27,500	27,500
30	65	36,000	36,000	35	65.9	28,000	28,000	35	69.3	24,800	24,800
35	61	32,200	30,000	40	62.5	25,200	24,000	40	66.5	22,500	22,500
40	56.8	28,700	23,800	45	59.1	23,100	19,500	45	63.7	20,600	19,600
45	52.4	24,600	19,300	50	55.5	21,300	16,200	50	60.7	18,800	16,300
50	47.1	21,300	16,000	55	51.2	18,600	13,600	55	57.7	17,400	13,700
55	42.7	18,400	13,400	60	47.8	16,000	11,500	60	54.5	16,200	11,700
60	37.1	15,800	11,300	65	43.6	13,900	9,800	65	51.2	14,100	10,000
65	30.6	13,600	9,600	70	39	12,200	8,400	70	47.8	12,300	8,600
70	22.7	11,900	8,100	75	33.9	10,700	7,200	75	44.2	10,900	7,400
75	9.8	10,300	6,800	80	28.1	9,400	6,200	80	40.3	9,600	6,400
76.2	0	5,500	5,500	85	20.8	8,200	5,200	85	36.1	8,500	5,500
				90	9	7,200	4,400	90	31.5	7,500	4,700
				91.2	0	3,600	3,600	95	26	6,600	4,000
								100	19.3	5,800	3,300
								105	8.3	5,100	2,700
								106.2	0	2,300	2,300



60 Ton

BASIC DIMENSIONS



	'A'	'B'
FULLY EXTENDED OUTRIGGERS	21'-0"	23'-0"
PINNED OUTRIGGERS	14'-4.5"	16'-4.5"
FULLY RETRACTED OUTRIGGERS	7'-8.5"	9'-8.5"

NOTE: DUMPING THE AIR SUSPENSION
LOWERS THE CRANE 2".



1089 VAN REED ROAD • READING, PA 19605
PHONE 610-376-6367 • FAX 610-373-3859

