

# model 777

## product guide

### features

- 181 mton (200 ton) capacity
- 307 mton-m (2,224 kips) Maximum Load Moment
- 82,3 m (270') Heavy-Lift Boom
- 91,4 m (300') Fixed Jib on Heavy-Lift Boom
- 106,7 m (350') Luffing Jib on Heavy-Lift Boom
- 125,0 m (410') Fixed Jib on Luffing Jib on Heavy-Lift Boom
- 253 kW (340 HP) engine standard
- EPIC® controls
- 135 m/min (442 fpm) line speed standard
- 205 m/min (674 fpm) line speed optional
- 131 kN (29,500 lb) line pull standard
- 196 kN (44,000 lb) line pull optional
- 13 380 kg (29,500 lb) Clamshell capacity
- 9 072 kg (20,000 lb) Dragline capacity
- Hydraulic-cylinder Boom Hoist for maximum performance with minimum maintenance
- Fast, efficient self-assembly
- Complete crane, maximum boom, fixed jib and counterweights ship on only 8 trucks
- Manitowoc CraneCARE®

### contents

Specifications

3

Outline Dimensions

6

Transport / Assembly

11

Performance Data

13

Boom Combinations

20

Main Boom  
Range / Load Charts

22

Fixed Jib  
Range / Load Charts

24

Luffing Jib  
Range / Load Charts

27

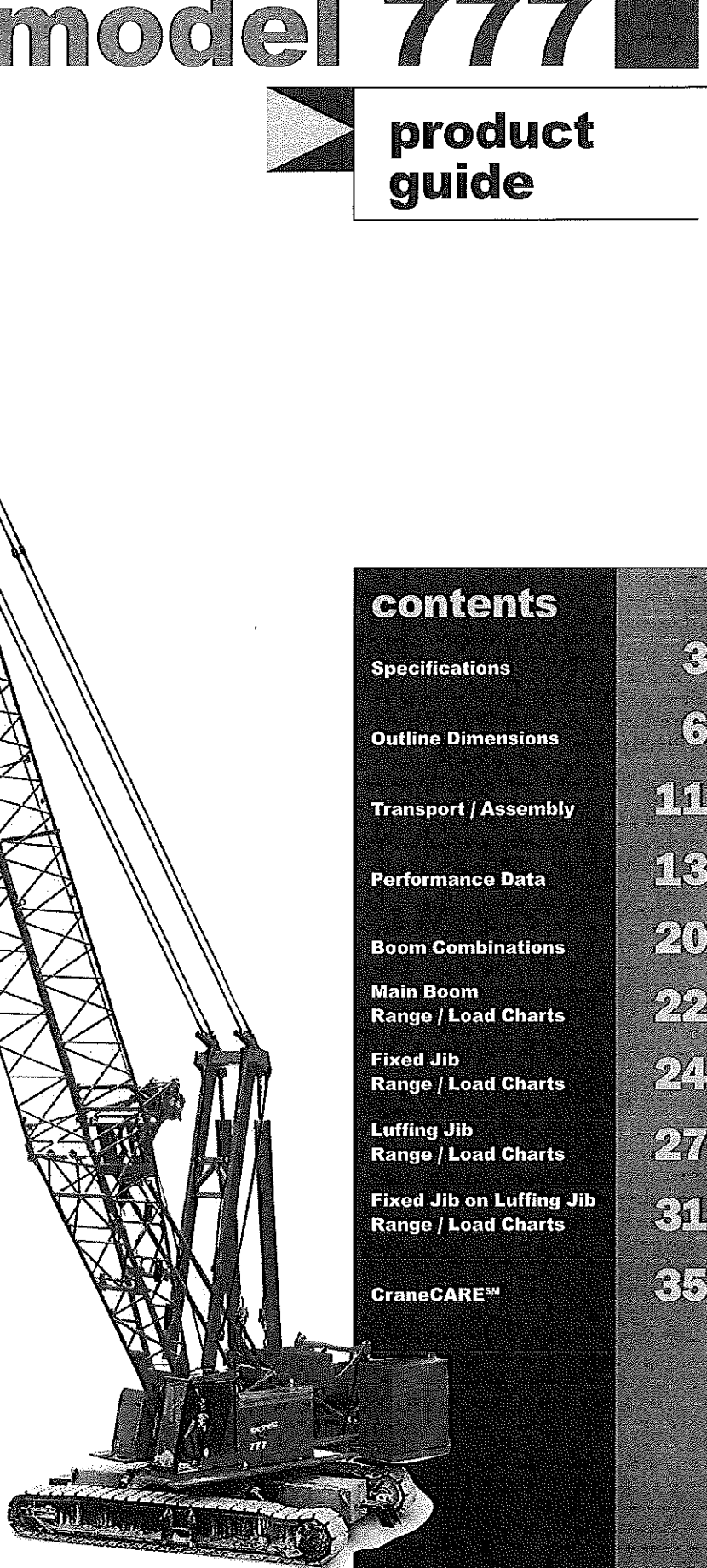
Fixed Jib on Luffing Jib  
Range / Load Charts

31

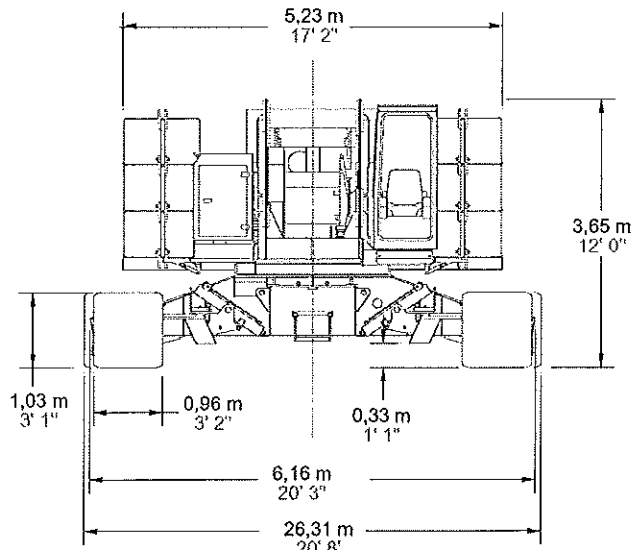
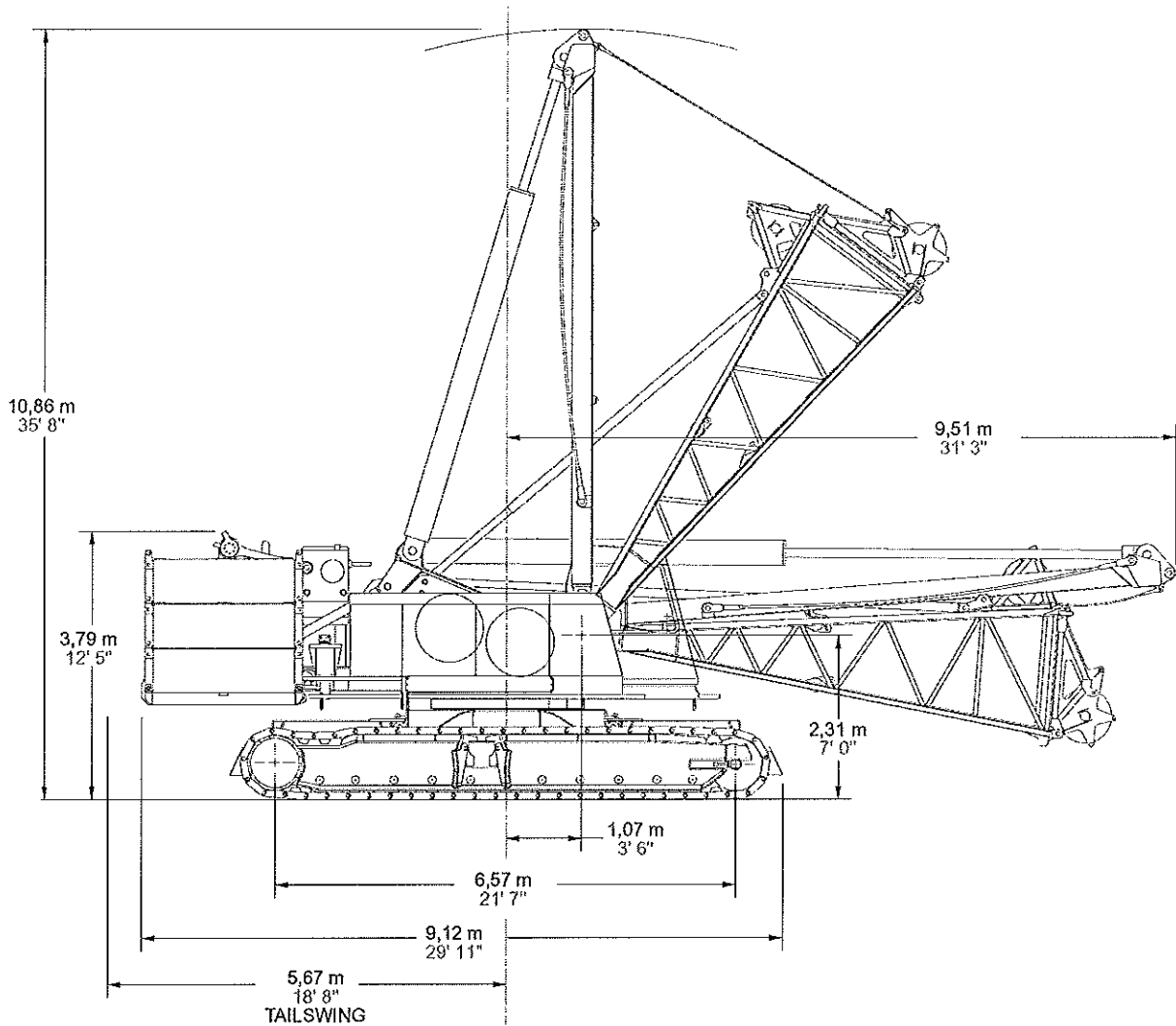
CraneCARE™

35

**Manitowoc**



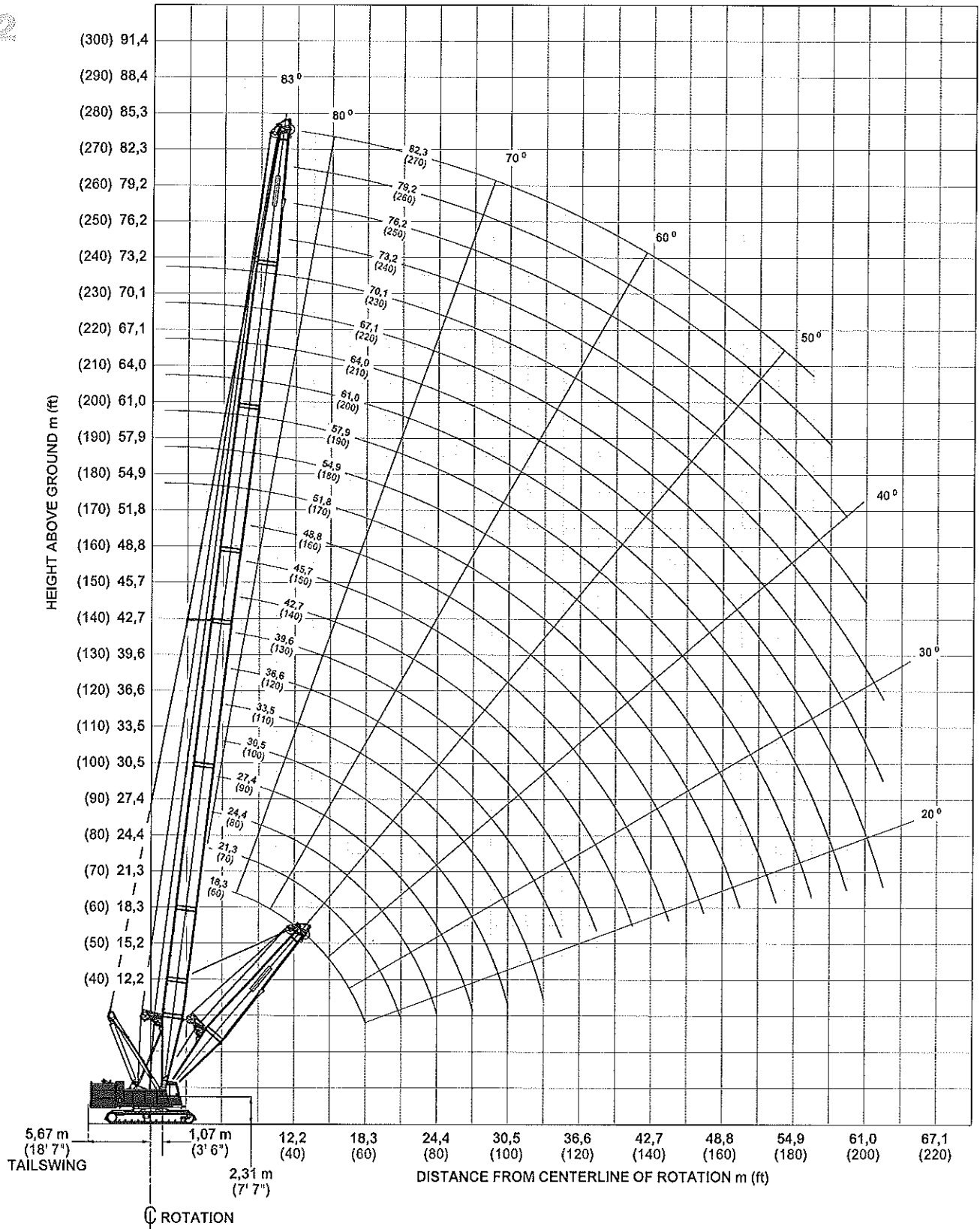
# outline dimensions



# heavy-lift boom range diagram

**No. 78 Main Boom**

22



model 777



# heavy-lift load charts

## Liftcrane Boom Capacities - Series 2 Boom No. 78

64 410 kg (142,000 lb) Counterweight 19 960 kg (44,000 lb) Crawler Frame Counterweight

23

360° Rating

kg (lb) x 1 000

Boom m (ft)	18,3 (60)	24,4 (80)	30,5 (100)	36,6 (120)	42,7 (140)	48,8 (160)	51,8 (170)	57,9 (190)	64,0 (210)	70,1 (230)	76,2 (250)	82,3 (270)
Radius												
4,0 (13)	160,0 (352,8)											
4,5 (15)	146,1 (316,7)	- (275,5)										
5,0 (17)	131,9 (281,3)	119,9 (259,9)										
6,0 (20)	110,8 (240,6)	109,6 (239,9)	96,3 (210,7)	- (192,2)								
7,0 (24)	95,2 (201,2)	95,2 (201,0)	89,0 (191,7)	81,5 (175,9)	- (157,9)							
9,0 (30)	74,1 (160,9)	74,0 (160,7)	73,9 (160,2)	70,1 (152,2)	64,3 (140,6)	58,6 (128,1)	56,3 (123,0)	- (116,6)				
10,0 (34)	64,5 (135,0)	65,0 (135,9)	65,1 (136,0)	63,2 (134,7)	60,1 (127,5)	54,9 (118,4)	52,6 (113,4)	50,7 (109,9)	47,3 (102,7)	- (97,1)		
12,0 (40)	49,6 (107,1)	49,9 (107,8)	49,9 (107,8)	50,0 (107,9)	49,8 (107,7)	47,5 (103,2)	46,2 (100,5)	44,2 (96,0)	41,3 (89,7)	39,0 (84,7)	37,1 (80,5)	
14,0 (50)	40,0 (78,4)	40,3 (79,1)	40,3 (79,1)	40,3 (79,1)	40,2 (78,8)	40,2 (78,5)	39,6 (78,3)	37,8 (76,5)	35,6 (72,5)	33,5 (68,0)	31,6 (64,0)	29,6 (59,6)
18,0 (60)	28,1 (60,6)	28,4 (61,5)	28,4 (61,5)	28,4 (61,5)	28,3 (61,1)	28,1 (60,8)	28,0 (60,6)	27,7 (59,8)	27,4 (59,3)	26,0 (56,4)	24,5 (53,3)	22,7 (49,3)
22,0 (70)		21,4 (49,5)	21,5 (49,6)	21,5 (49,6)	21,3 (49,2)	21,2 (48,9)	21,0 (48,6)	20,7 (47,8)	20,4 (47,3)	20,2 (46,7)	19,6 (44,9)	18,2 (41,8)
24,0 (80)		18,9 (40,8)	19,0 (41,0)	19,0 (41,0)	18,8 (40,6)	18,6 (40,3)	18,5 (40,0)	18,2 (39,2)	17,9 (38,7)	17,7 (38,1)	17,4 (37,4)	16,4 (35,5)
26,0 (90)			16,9 (34,5)	16,9 (34,5)	16,7 (34,1)	16,6 (33,8)	16,5 (33,5)	16,1 (32,7)	15,8 (32,2)	15,6 (31,5)	15,2 (30,9)	14,8 (30,1)
30,0 (100)			13,5 (29,2)	13,6 (29,4)	13,4 (29,0)	13,3 (28,7)	13,2 (28,4)	12,8 (27,6)	12,6 (27,1)	12,3 (26,4)	12,0 (25,8)	11,6 (25,0)
34,0 (110)				11,2 (25,3)	11,0 (25,0)	10,9 (24,6)	10,8 (24,4)	10,4 (23,5)	10,1 (23,0)	9,8 (22,3)	9,5 (21,7)	9,2 (20,9)
36,0 (120)					10,0 (21,6)	9,8 (21,2)	9,7 (21,0)	9,3 (20,1)	9,1 (19,6)	8,8 (18,9)	8,5 (18,3)	8,2 (17,5)
40,0 (130)					8,3 (18,7)	8,2 (18,4)	8,1 (18,2)	7,7 (17,3)	7,4 (16,8)	7,1 (16,1)	6,8 (15,5)	6,5 (14,7)
42,0 (140)						7,4 (16,0)	7,3 (15,8)	6,9 (14,9)	6,7 (14,4)	6,4 (13,7)	6,1 (13,1)	5,7 (12,3)
46,0 (150)						6,2 (13,9)	6,1 (13,7)	5,7 (12,8)	5,5 (12,4)	5,1 (11,6)	4,9 (11,0)	4,5 (10,2)
48,0 (160)							5,6 (11,9)	5,1 (11,0)	4,9 (10,6)	4,6 (9,9)	4,3 (9,2)	4,0 (8,4)
52,0 (170)								4,2 (9,4)	4,0 (9,0)	3,7 (8,3)	3,4 (7,6)	2,9 (6,7)
54,0 (180)								3,8 (8,0)	3,6 (7,6)	3,3 (6,9)	2,9 (6,2)	2,5 (5,2)
56,0 (185)								3,3 (7,3)	3,2 (7,0)	2,8 (6,2)	2,6 (5,6)	2,0 (4,4)

Meets ANSI B30.5 Requirements - Capacities do not exceed 75% of static tipping load.  
NOTICE: This capacity chart is for reference only and must not be used for lifting purposes.